

Transport technology / Body components / Locks and fittings

# Locks and fittings

Door gear, locks and fittings



# Table of Contents

Chapter	Product category		Page
Locks and fittings	Door gear	external door gear	62.01.01.1
		internal door gear	62.01.02.1
	Locks	Connecting rod locks	62.02.01.1
		Trunk-locks	62.02.02.1
		Paddle handle lock	62.02.03.1
		Clasp locks	62.02.04.1
		Sliding panel locks	62.02.05.1
	Fittings	Spring tiggers	62.03.01.1

# Product Index

## Numeric

Article No.	Pg.	Article No.	Pg.	Article No.	Pg.	Article No.	Pg.
620 021	62.02.04.1	627 111	62.01.02.3	628 510 000	62.01.01.7	628 563 000	62.01.02.10
620 031	62.02.04.1	627 175 001	62.01.02.2	628 511 000	62.01.01.7	628 563 000	62.01.02.11
620 060	62.03.01.1	627 500	62.01.02.3	628 511 000	62.01.01.8	628 563 000	62.01.02.14
620 080	62.03.01.1	627 502	62.01.02.3	628 512 000	62.01.01.7	628 563 000	62.01.02.15
620 560	62.02.02.1	627 510	62.01.02.4	628 512 000	62.01.01.8	628 564 000	62.01.02.10
620 570	62.02.02.1	627 542	62.01.02.3	628 513 000	62.01.01.7	628 564 000	62.01.02.12
620 897	62.02.03.1	627 542	62.01.02.4	628 513 000	62.01.01.8	628 564 000	62.01.02.14
620 900	62.02.03.1	627 572	62.01.02.4	628 514 000	62.01.01.7	628 564 000	62.01.02.16
620 906	62.02.01.4	627 573	62.01.02.3	628 514 000	62.01.01.9	628 566 000	62.01.02.10
620 906	62.02.03.1	627 574	62.01.02.3	628 515 000	62.01.01.7	628 566 000	62.01.02.12
620 908	62.02.01.4	627 578	62.01.02.3	628 515 000	62.01.01.9	628 566 000	62.01.02.14
620 908	62.02.03.1	627 625	62.01.02.5	628 516 000	62.01.01.7	628 566 000	62.01.02.16
620 910	62.02.01.4	627 780	62.01.02.5	628 516 000	62.01.01.9	628 570 000	62.01.02.14
620 947	62.02.03.1	627 781	62.01.02.5	628 517 000	62.01.01.7	628 571 000	62.01.02.14
620 950	62.02.03.1	628 017	62.01.02.3	628 517 000	62.01.01.10	628 571 000	62.01.02.15
620 951	62.02.01.4	628 024 000	62.01.02.2	628 518 000	62.01.01.7	628 590 002	62.01.01.3
620 951	62.02.03.1	628 024 000	62.01.02.6	628 518 000	62.01.01.10	628 590 002	62.01.01.7
620 952	62.02.01.4	628 026	62.01.02.6	628 519 000	62.01.01.7	628 590 006	62.01.01.3
620 953	62.02.01.4	628 028	62.01.02.6	628 519 000	62.01.01.10	628 590 006	62.01.01.7
620 954	62.02.01.4	628 030	62.01.02.6	628 520 000	62.01.01.7	628 590 008	62.01.01.3
620 954	62.02.03.1	628 032	62.01.02.6	628 520 000	62.01.01.11	628 590 008	62.01.01.7
621 090 000	62.01.02.7	628 052 000	62.01.02.7	628 530 000	62.01.01.3	628 590 009	62.01.01.3
621 297	62.02.01.4	628 106	62.01.02.4	628 531 000	62.01.01.3	628 590 009	62.01.01.7
621 300	62.02.01.4	628 118	62.01.02.4	628 531 000	62.01.01.4	629 610 000	62.01.01.13
621 301	62.02.01.4	628 265 000	62.01.02.2	628 532 000	62.01.01.3	629 611 000	62.01.01.13
621 302	62.02.01.4	628 265	62.01.02.6	628 532 000	62.01.01.4	629 611 000	62.01.01.14
622 622	62.02.01.1	628 266 000	62.01.02.2	628 533 000	62.01.01.3	629 612 000	62.01.01.13
622 622	62.02.01.2	628 266	62.01.02.6	628 533 000	62.01.01.5	629 612 000	62.01.01.14
622 623	62.02.01.2	628 326	62.01.02.6	628 534 000	62.01.01.3	629 613 000	62.01.01.13
622 625	62.02.01.1	628 328	62.01.02.6	628 534 000	62.01.01.5	629 613 000	62.01.01.14
622 625	62.02.01.2	628 330	62.01.02.6	628 535 000	62.01.01.3	629 614 000	62.01.01.13
622 626	62.02.01.2	628 332	62.01.02.6	628 535 000	62.01.01.4	629 614 000	62.01.01.15
622 628	62.02.01.1	628 337	62.01.02.5	628 536 000	62.01.01.3	629 615 000	62.01.01.13
622 628	62.02.01.2	628 337	62.01.02.6	628 536 000	62.01.01.4	629 615 000	62.01.01.15
622 629	62.02.01.1	628 338 000	62.01.02.2	628 537 000	62.01.01.3	629 616 000	62.01.01.13
622 629	62.02.01.2	628 339	62.01.02.5	628 537 000	62.01.01.5	629 616 000	62.01.01.16
622 631	62.02.01.2	628 339	62.01.02.6	628 560 000	62.01.02.10	629 617 000	62.01.01.13
622 632	62.02.01.2	628 340 000	62.01.02.2	628 561 000	62.01.02.10	629 617 000	62.01.01.15
623 150	62.02.05.1	628 350 000	62.01.02.7	628 561 000	62.01.02.11	629 618 000	62.01.01.13
623 151	62.02.05.1	628 360 000	62.01.02.7	628 562 000	62.01.02.10	629 619 000	62.01.01.13
626 150	62.02.01.3	628 370 000	62.01.02.2	628 562 000	62.01.02.11	629 620 000	62.01.01.13
626 151	62.02.01.3	628 390 000	62.01.02.7	628 562 000	62.01.02.14	632 240	62.02.01.2
627 110	62.01.02.3	628 390 000	62.01.02.7	628 562 000	62.01.02.15	632 241	62.02.01.2

## Product index / Numeric

Article No.	Pg.
633 510	62.02.01.2
633 511	62.02.01.2
633 520	62.02.01.1
633 520	62.02.01.2
633 521	62.02.01.1
633 521	62.02.01.2
633 522	62.02.01.1
633 522	62.02.01.2
633 523	62.02.01.1
633 523	62.02.01.2
633 549	62.02.01.2
633 623	62.02.01.1
896 552 083	62.01.02.2

## Door gear external

### Range of surface-mounted stainless-steel locking devices

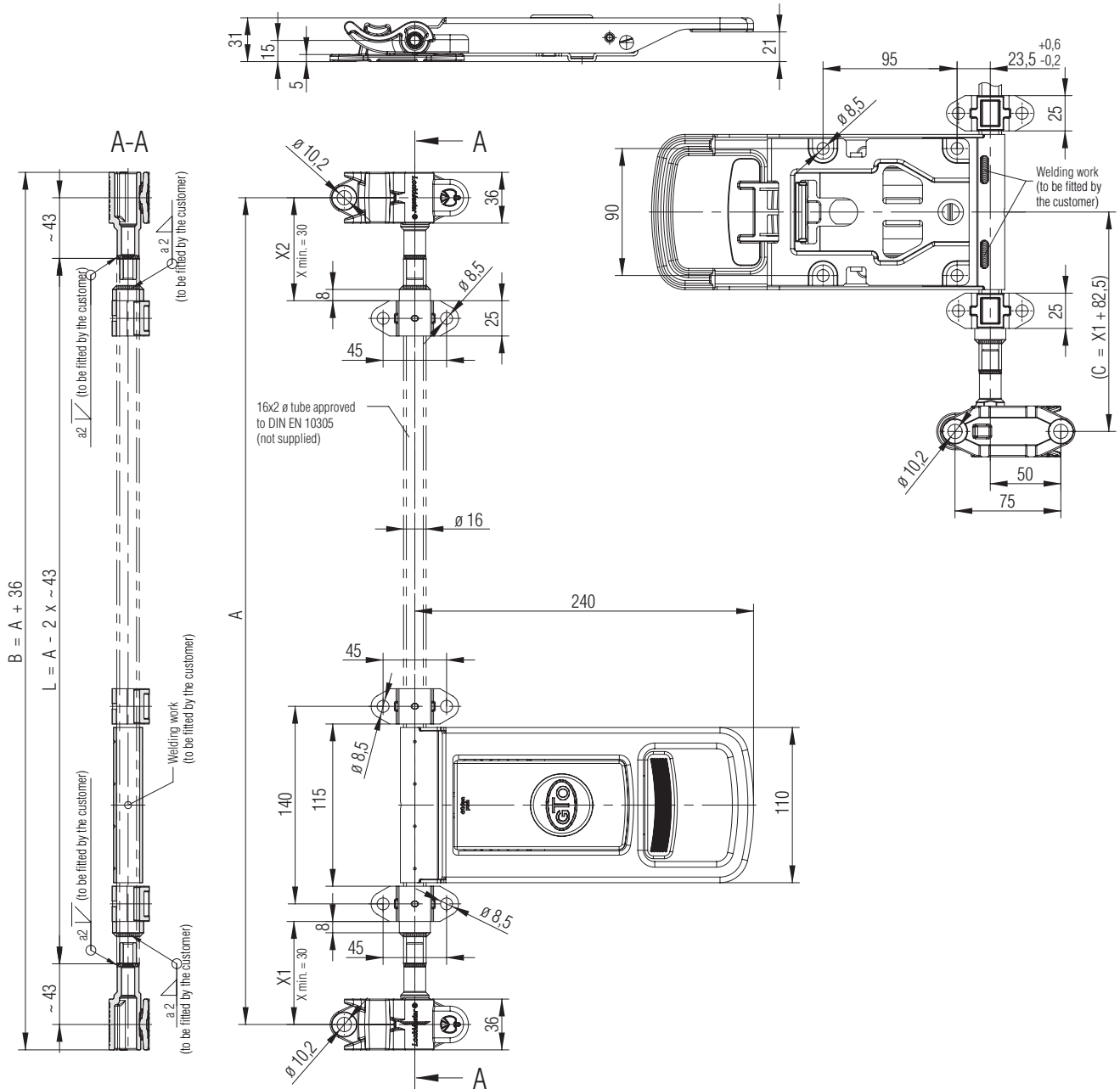
The 890.16 surface-mounted lock is an ideal locking device for fitting to the bodies of light commercial vehicles, while its larger counterpart, the 890.27, fulfils all the technical requirements of the entire range of body kits designed for dry and refrigerated transport. The lock also stands out in terms of its design, which adds to the attractive overall appearance. Both locks can also be opened from the inside. The customs-seal attachment and optional cylinder lock are covered with a spring-loaded flap. The door can also be secured using a 5 mm padlock. The fixing holes provided are compatible with many locks currently available on the market, which likewise makes these locks an ideal choice for replacement purposes. All devices are optionally available with cylinder locks and different closing mechanisms.



# Door gear external for rotary tube with 16 mm diameter

Surface-mounted recessed lock 890.16

Fitting dimensions



**Recommended fasteners:**

- Fillister-head screws approved to DIN 6912 or 7984 - min. A2
- The right-hand door is shown here. The left-hand door is the mirror image of the right, with the corresponding combination of individual components.

**Dimensions X1 and X2 are established by the body manufacturer, depending on factors such as:**

- The envisaged internal load (e.g. useful load capacity (P) x 0.3)
- Number of locks (hinges)
- Material used for lock rod
- Specified level of security
- Other factors relating to the body design and operational requirements!

## Door gear external for rotary tube with 16 mm diameter

### Surface-mounted recessed lock 890.16

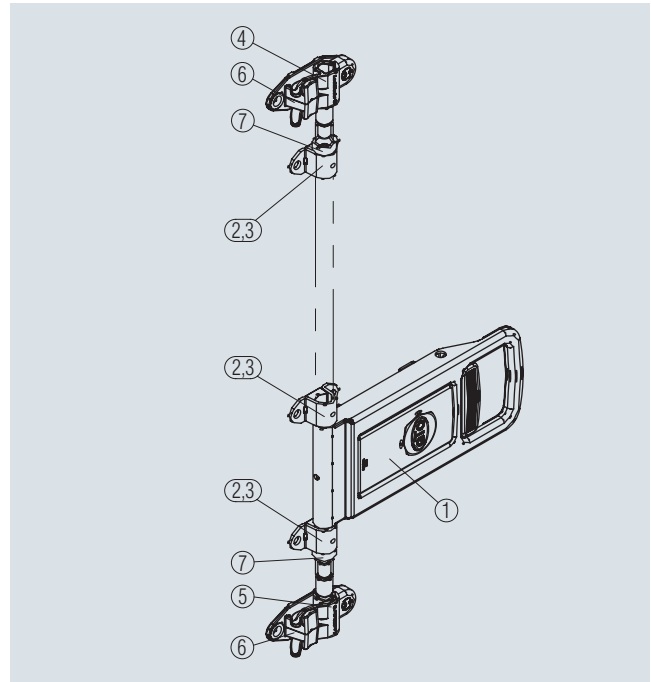
The ideal surface-mounted lock for fitting to lightweight commercial-vehicle bodies

- Maximum strength combined with minimal weight
- Attractive design (no visible plastic components)
- With locking catches designed to ensure smooth and easy operation
- Fixing holes compatible with many locks currently available on the market
- Lock rod mounted on plastic bearings
- Requires no maintenance; noise-free operation
- Can be unlocked from inside in an emergency
- Also available with customs-seal attachment
- Can be secured using a 5 mm padlock
- Optional cylinder lock available

#### Spare parts:

Return spring for hand lever, Part no. 628 580 000

**Total weight:** approx. 1.9 kg/unit  
**Article No.** 628 530 000



Position	Unit	Description	Material	Finish	Article No.
1	1	Surface-mounted catch without cylinder lock	Stainless steel	electrolytic polished	628 531 000
2	3	Lock rod guide 1/2" ø 16	Stainless steel	electrolytic polished	628 535 000
3	3	Backing base for lock rod guide 1/2" ø 16	PA 6	-	628 536 000
4	1	Clamping spigot, top right/bottom left 1/2" ø 16	Stainless steel	electrolytic polished	628 532 000
5	1	Clamping spigot, top left/bottom right 1/2" ø 16	Stainless steel	electrolytic polished	628 533 000
6	2	Catch set 1/2" ø 16	Stainless steel	electrolytic polished	628 534 000
7	2	Stop ring	Stainless steel	raw	628 537 000
		<b>Complete lock assembly</b>			<b>628 530 000</b>

#### Accessories

Cylinder lock, supplied with two keys

Lock No.	Article No.
002	628 590 002
006	628 590 006
008	628 590 008
009	628 590 009

Other locks are available on request.

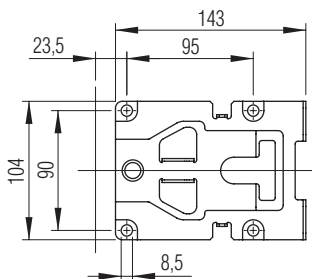
# Door gear external for rotary tube with 16 mm diameter

Drawings of individual components of lock 628 530 000 (890.16)

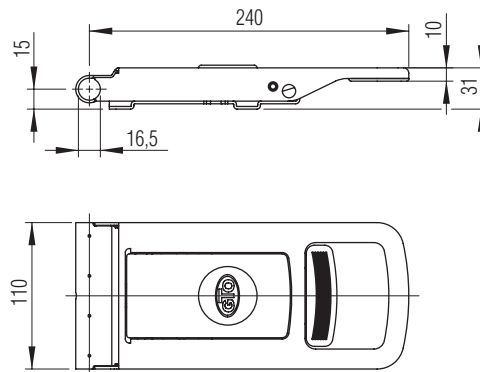
## Surface-mounted lock component 890.16

- Without cylinder lock
- For 16 mm  $\varnothing$  tube

Material: Stainless steel  
 Surface: electrolytic polished  
 Weight: 1.096 kg/each  
 Article No. 628 531 000



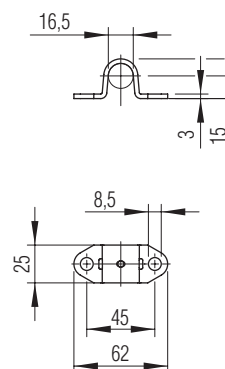
Base plate



Handle plate

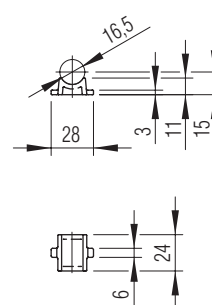
## Lock rod guide 1/2" ( $\varnothing$ 16)

Material: Stainless steel  
 Surface: electrolytic polished  
 Weight: 0.048 kg/each  
 Article No. 628 535 000



## Backing base for lock rod guide 1/2" ( $\varnothing$ 16)

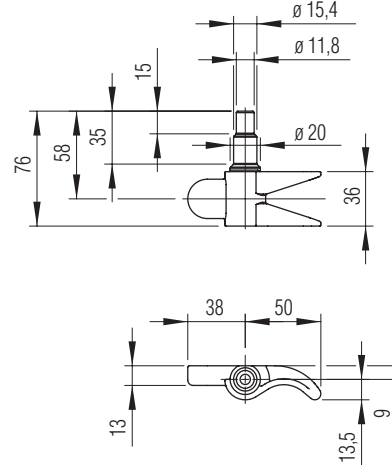
Material: Polyamide  
 Colour: black  
 Weight: 0.004 kg/each  
 Article No. 628 536 000



## Clamping spigot 1/2" ( $\varnothing$ 16)

- Top right/bottom left

Material: Stainless steel  
 Surface: electrolytic polished  
 Weight: 0.186 kg/each  
 Article No. 628 532 000





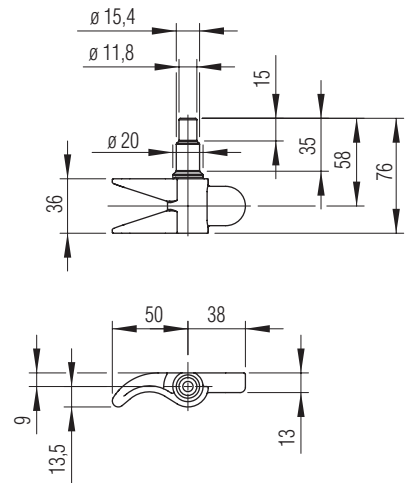
# Door gear external for rotary tube with 16 mm diameter

Drawings of individual components of lock 628 530 000 (890.16)

## Clamping spigot 1/2" (ø 16)

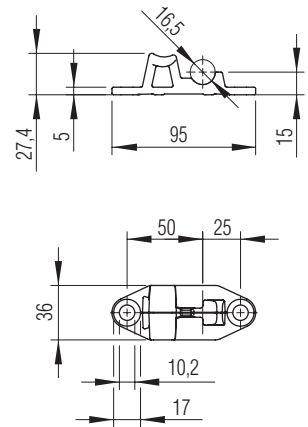
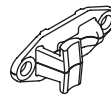
– Top left/bottom right

**Material:** Stainless steel  
**Surface:** electrolytic polished  
**Weight:** 0.186 kg/each  
**Article No.** 628 533 000



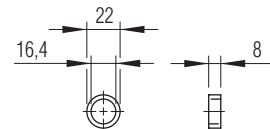
## Catch set 1/2" (ø 16)

**Material:** Stainless steel  
**Surface:** electrolytic polished  
**Weight:** 0.142 kg/each  
**Article No.** 628 534 000



## Stop ring (ø 16)

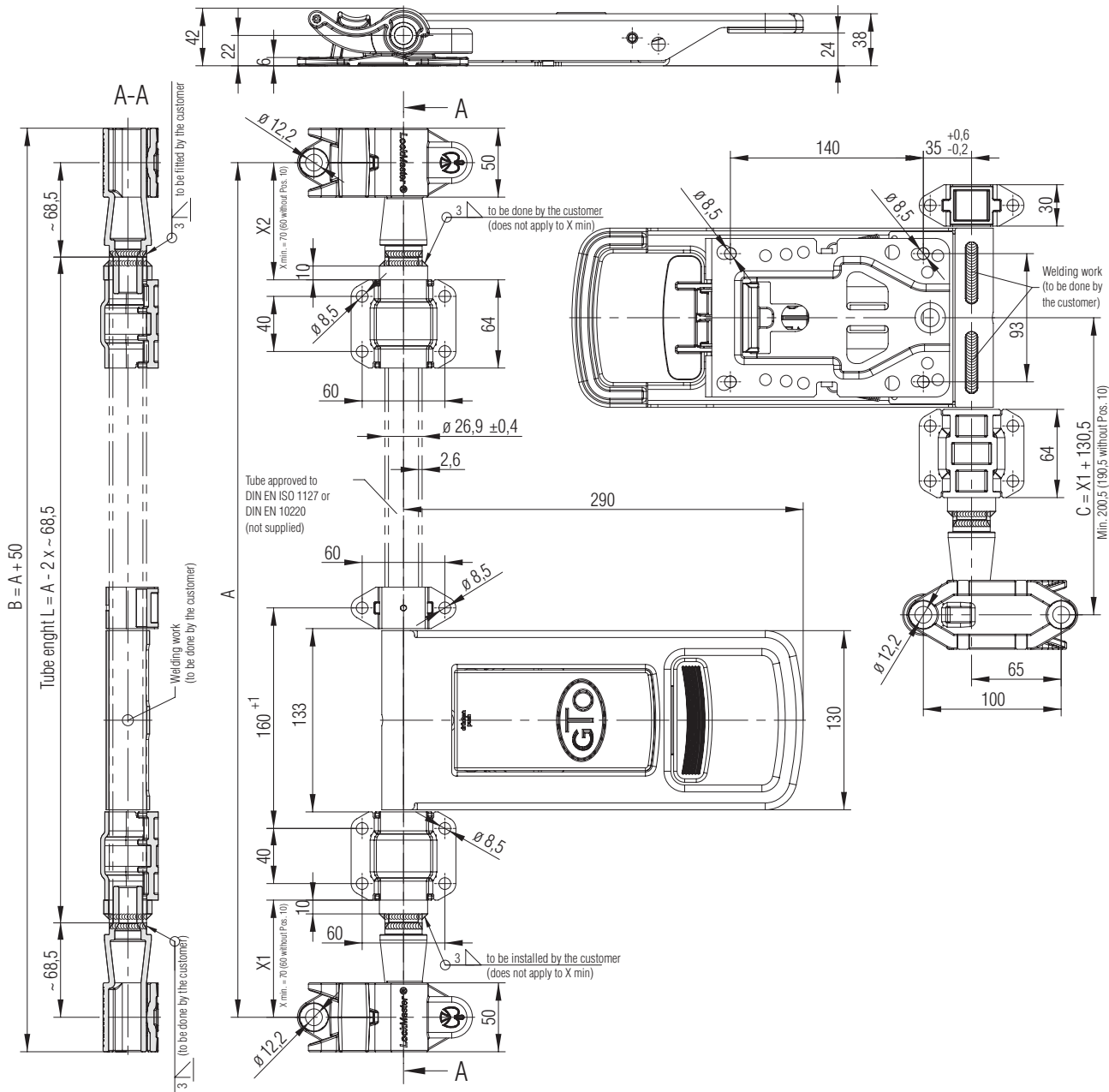
**Material:** Stainless steel  
**Surface:** raw  
**Weight:** 0.011 kg/each  
**Article No.** 628 537 000



# Door gear external for rotary tube with 27 mm diameter

Surface-mounted recessed lock 890.27

Fitting dimensions:



### Recommended fasteners:

- Fillister-head screws approved to DIN 6912 - min. A2
- The right-hand door is shown here.  
The left-hand door is the mirror image of the right, with the corresponding combination of individual components.

### Dimensions X1 and X2 are established by the body manufacturer, depending on factors such as:

- The envisaged internal load (e.g. useful load capacity (P) x 0.3)
- Number of locks (hinges)
- Material used for lock rod
- Specified level of security
- Other factors relating to the body design and operational requirements!

# Door gear external for rotary tube with 27 mm diameter

## Surface-mounted recessed lock 890.27

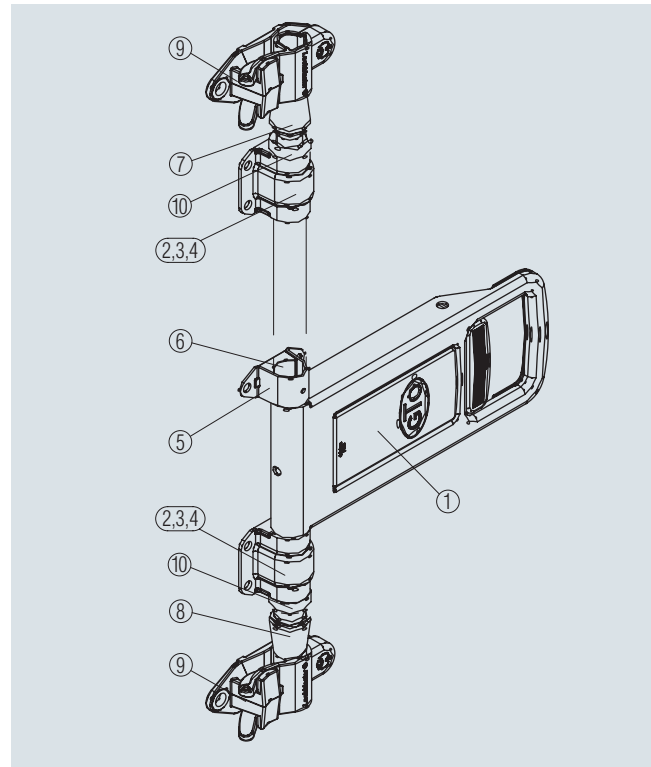
The ideal surface-mounted lock for dry and refrigerated transport

- Maximum strength combined with minimal weight
- Attractive design (no visible plastic components)
- With locking catches designed to ensure smooth and easy operation
- Fixing holes compatible with many locks currently available on the market
- Lock rod mounted on plastic bearings
- Requires no maintenance; noise-free operation
- Can be unlocked from inside in an emergency
- Also available with customs-seal attachment
- Can be secured using a 5 mm padlock
- Optional cylinder lock available

### Spare parts:

Return spring for hand lever, Part no. 628 580 000

**Total weight:** approx. 4.0 kg/unit  
**Article No.** 628 510 000



Position	Unit	Description	Material	Finish	Article No.
1	1	Surface-mounted catch without cylinder lock	Stainless steel	electrolytic polished	628 511 000
2	2	Catch set 3/4" ø 27	Stainless steel	electrolytic polished	628 512 000
3	2	Backing base for lock rod holder 3/4" ø 27	Stainless steel	raw	628 513 000
4	2	Plastic sleeve	PA 6	-	628 514 000
5	1	Lock rod guide 3/4" ø 27	Stainless steel	electrolytic polished	628 515 000
6	1	Backing base for lock rod guide 3/4" ø 27	PA 6 - GF 15	-	628 516 000
7	1	Clamping spigot, top right/bottom left 3/4" ø 27	Stainless steel	electrolytic polished	628 517 000
8	1	Clamping spigot, top left/bottom right 3/4" ø 27	Stainless steel	electrolytic polished	628 518 000
9	2	Catch set 3/4" ø 27	Stainless steel	electrolytic polished	628 519 000
10	2	Stop ring ø 35/28 x 10	Stainless steel	raw	628 520 000
		<b>Complete lock assembly</b>			<b>628 510 000</b>

### Accessories

Cylinder lock, supplied with two keys

Lock No.	Article No.
002	628 590 002
006	628 590 006
008	628 590 008
009	628 590 009

Other locks are available on request.

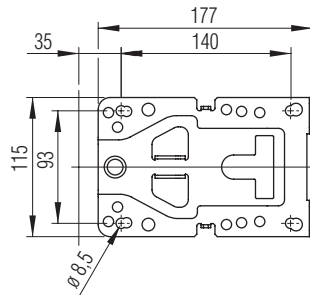
# Door gear external for rotary tube with 27 mm diameter

Drawings of individual components of lock 628 510 000 (890.27)

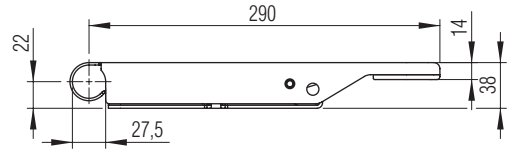
## Surface-mounted lock component 890.27

- Without cylinder lock
- For 27 mm  $\varnothing$  tube

Material: Stainless steel  
 Surface: electrolytic polished  
 Weight: 1.650 kg/each  
 Article No. 628 511 000



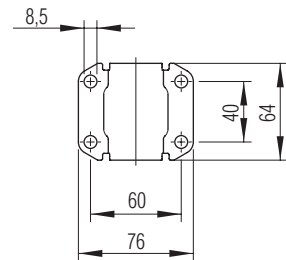
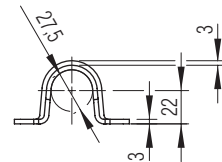
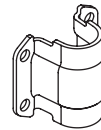
Base plate



Handle plate

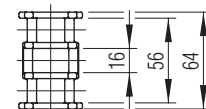
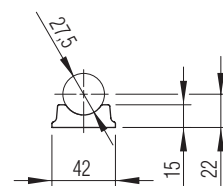
## Lock rod set 3/4" ( $\varnothing$ 27)

Material: Stainless steel  
 Surface: electrolytic polished  
 Weight: 0.185 kg/each  
 Article No. 628 512 000



## Backing base for lock rod holder 3/4" ( $\varnothing$ 27)

Material: Stainless steel  
 Surface: raw  
 Weight: 0.125 kg/each  
 Article No. 628 513 000

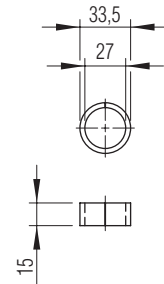


# Door gear external for rotary tube with 27 mm diameter

Drawings of individual components of lock 628 510 000 (890.27)

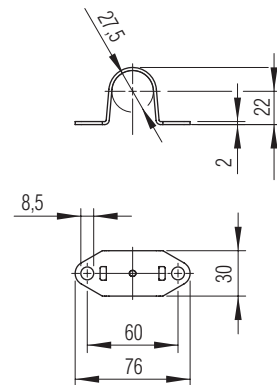
## Plastic sleeve

**Material:** Polyamide  
**Colour:** black  
**Weight:** 0.006 kg/each  
**Article No.** 628 514 000



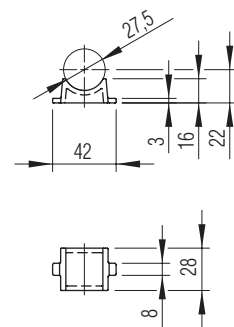
## Lock rod guide 3/4" (ø 27)

**Material:** Stainless steel  
**Surface:** electrolytic polished  
**Weight:** 0.05 kg/each  
**Article No.** 628 515 000



## Backing base for lock rod guide 3/4" (ø 27)

**Material:** Polyamide  
**Colour:** black  
**Weight:** 0.009 kg/each  
**Article No.** 628 516 000



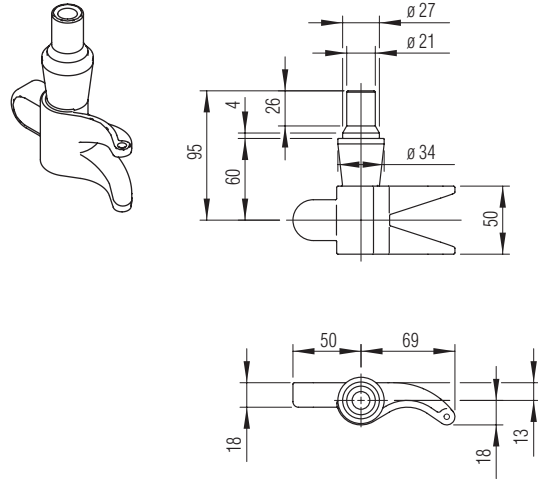
# Door gear external for rotary tube with 27 mm diameter

Drawings of individual components of lock 628 510 000 (890.27)

## Clamping spigot 3/4" (ø 27)

– Top right/bottom left

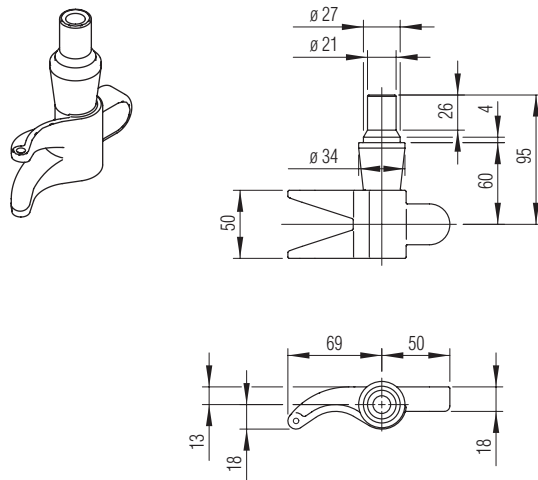
**Material:** Stainless steel  
**Surface:** electrolytic polished  
**Weight:** 0.507 kg/each  
**Article No.** 628 517 000



## Clamping spigot 3/4" (ø 27)

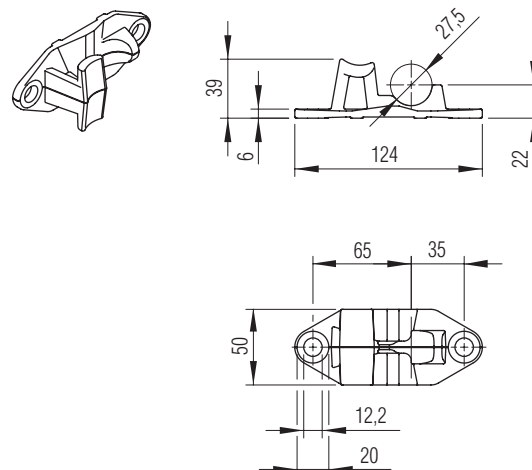
– Top left/bottom right

**Material:** Stainless steel  
**Surface:** electrolytic polished  
**Weight:** 0.507 kg/each  
**Article No.** 628 518 000



## Catch set 3/4" (ø 27)

**Material:** Stainless steel  
**Surface:** electrolytic polished  
**Weight:** 0,328 kg/each  
**Article No.** 628 519 000

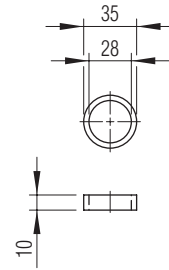


# Door gear external for rotary tube with 27 mm diameter

Drawings of individual components of lock 628 10 000 (890.27)

## Stop ring $\varnothing$ 35/28 x 10

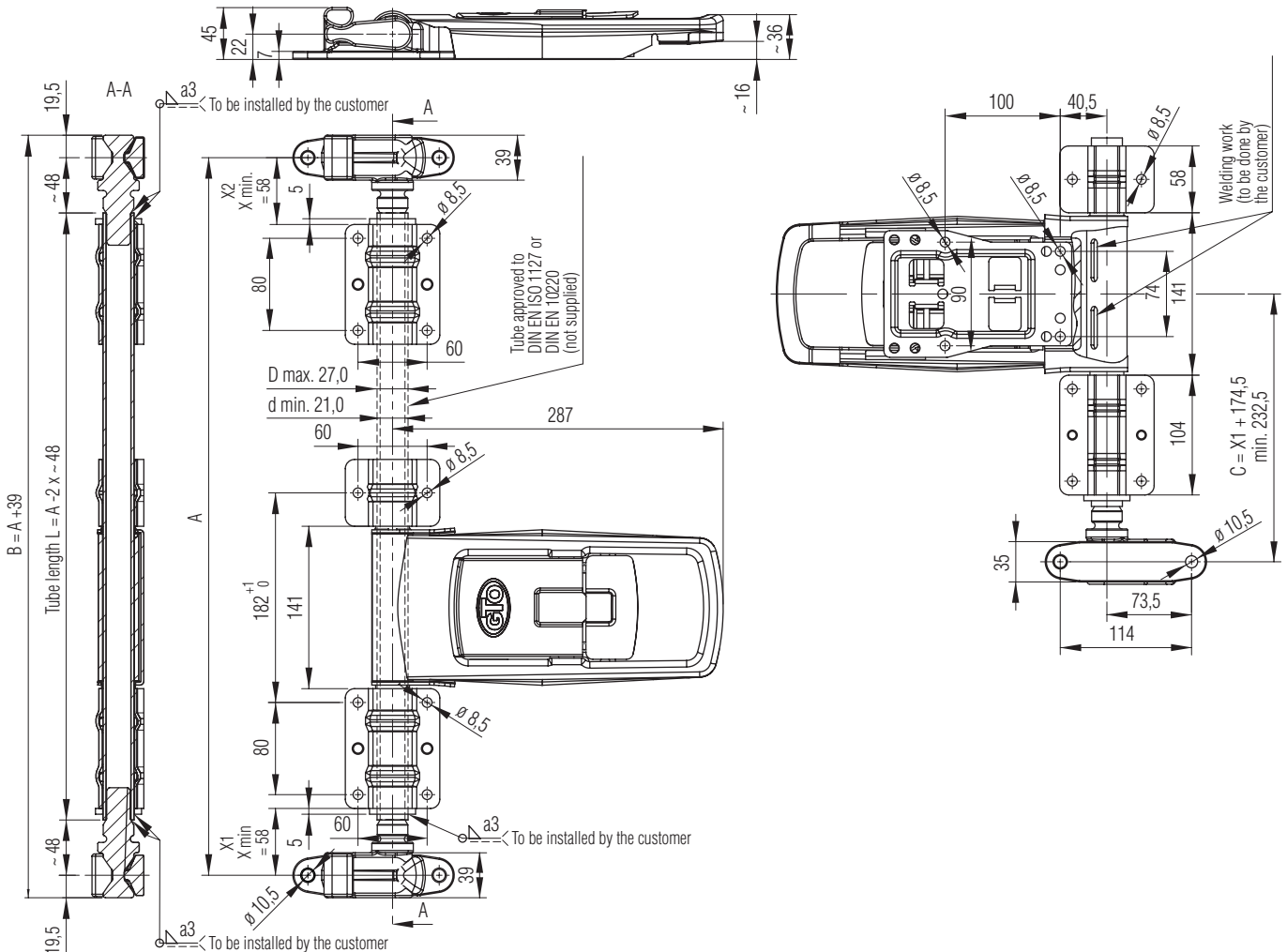
**Material:** Stainless steel  
**Surface:** raw  
**Weight:** 0.028 kg/each  
**Article No.** 628 520 000



# Door gear external for rotary tube with 27 mm diameter

Surface-mounted recessed lock 27 mm diameter

Fitting dimensions:



### Recommended fasteners:

- Hexagonal screw DIN 933 - min. A2
- The right-hand door is shown here.  
The left-hand door is the mirror image of the right, with the corresponding combination of individual components.

Die Maße X1 und X2 werden Dimensions X1 and X2 are established by the body manufacturer, depending on factors such as:

- The envisaged internal load (e.g. useful load capacity (P) x 0.3)
- Number of locks (hinges)
- Material used for lock rod
- Specified level of security
- Other factors relating to the body design and operational



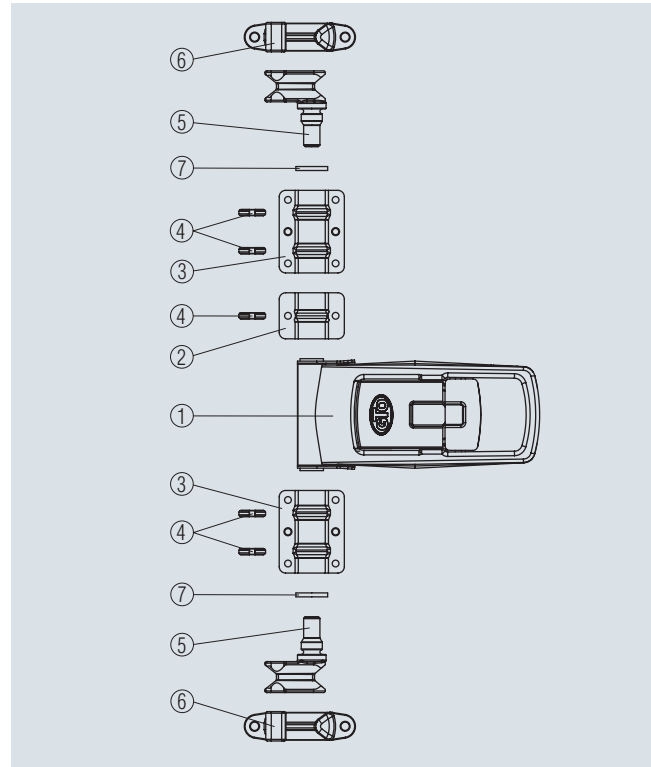
# Door gear

## external for rotary tube with 27 mm diameter

### Surface-mounted recessed lock 27 mm diameter stainless steel

- With cylinder lock available
- Also available with customs-seal attachment
- Can be secured using a 5 mm padlock
- Can be unlocked from inside in an emergency
- Lock rod mounted on plastic bearings
- Requires no maintenance

Total weight: approx. 5.6 kg/each  
Article No. 629 610 000



Position	Unit	Description	Material	Finish	Article No.
1	1	Handle combination configuration - closure with locking cylinder	Stainless steel	polished	629 611 000
2	1	Small lock-rod holder (base and upper part) ø 27 mm	Stainless steel	polished	629 612 000
3	2	Large lock-rod holder (base and upper part) ø 27 mm	Stainless steel	polished	629 613 000
4	5	Grey nylon bush ø 27 mm	Nylon	-	629 614 000
5	2	Locking catch, right/left ø 27 mm	Stainless steel	polished	629 615 000
6	2	Door gear keepers, right/left ø 27 mm	Stainless steel	polished	629 616 000
7	2	Anti-racking plate ø 40 mm - 27.4 x 5 mm	Stainless steel	raw	629 617 000
		<b>Complete lock assembly</b>			<b>629 610 000</b>

### Spare parts

Locking cylinder without latch, with 2 x keys

Article No. 629 619 000

Latch for locking cylinder

Article No. 629 620 000

Return spring, 109 mm, for handle combination

Article No. 629 618 000

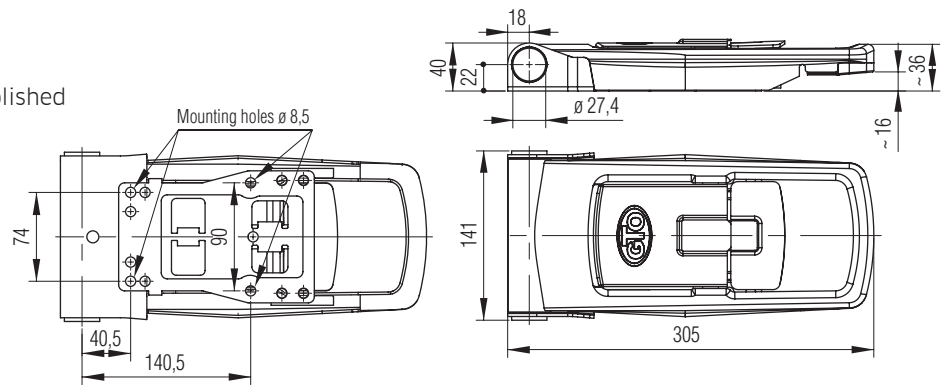
# Door gear external for rotary tube with 27 mm diameter

## Drawings of individual components of lock 629 610 000

### Handle combination, surface-mounted lock

- With cylinder lock
- For 27 mm  $\varnothing$  tube

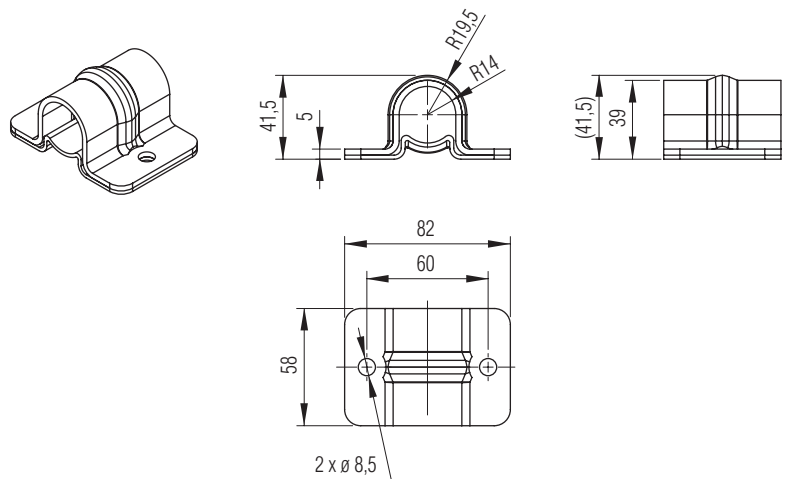
**Material:** Stainless steel  
**Surface:** electrolytic polished  
**Weight:** 2.3 kg/each  
**Article No.** 629 611 000



### Lock rod set small ( $\varnothing$ 27)

- Without nylon bush

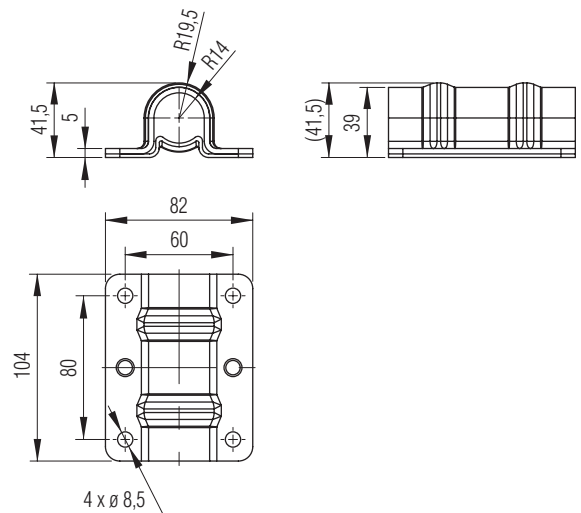
**Material:** Stainless steel  
**Surface:** electrolytic polished  
**Weight:** 0.25 kg/each  
**Article No.** 629 612 000



### Lock rod set large ( $\varnothing$ 27)

- Without nylon bush

**Material:** Stainless steel  
**Surface:** electrolytic polished  
**Weight:** 0.44 kg/each  
**Article No.** 629 613 000

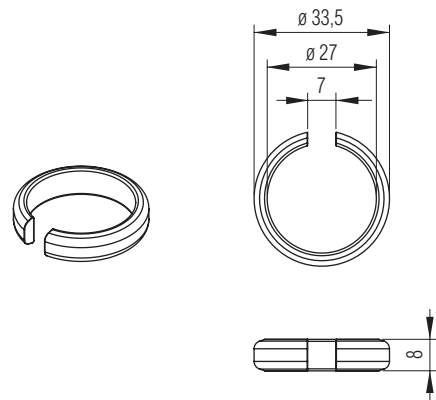


# Door gear external for rotary tube with 27 mm diameter

Drawings of individual components of lock 629 610 000

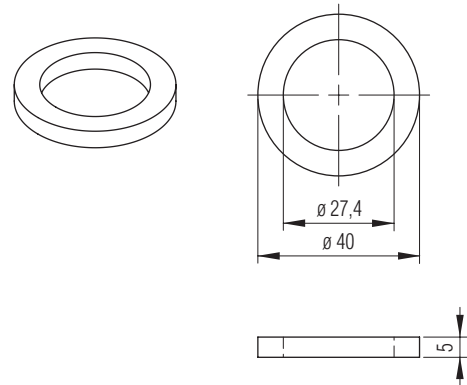
## Nylon bush (ø 27 mm)

**Material:** Nylon  
**Color:** gray  
**Weight:** approx. 0.002 kg/each  
**Article No.** 629 614 000



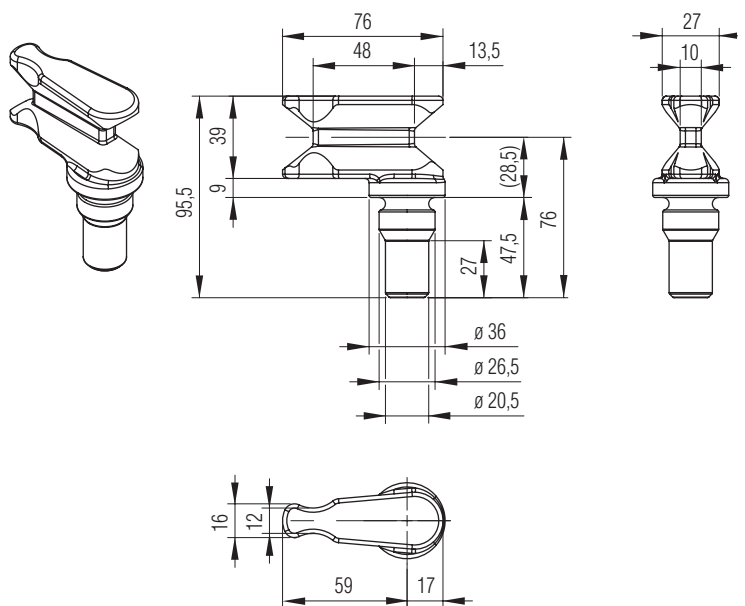
## Anti-racking plate (ø 40 mm)

**Material:** Stainless steel  
**Surface:** raw  
**Weight:** approx. 0.0027 kg/each  
**Article No.** 629 617 000



## Locking catch, right/left (ø 27 mm)

**Material:** forged stainless steel  
**Surface:** particle-blasted/brushed  
**Weight:** approx. 0.53 kg/each  
**Article No.** 629 615 000

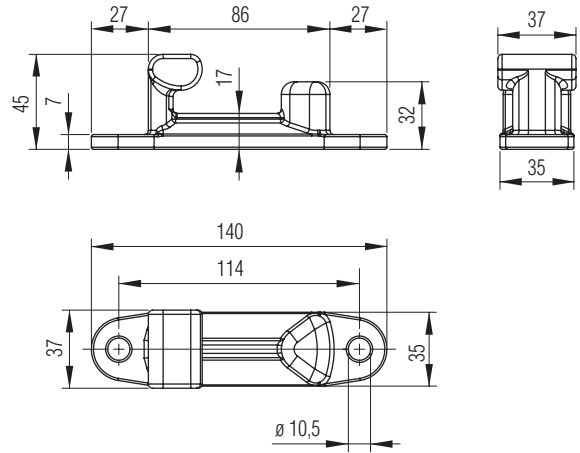
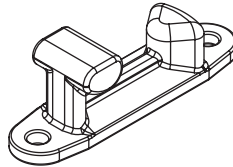


# Door gear external for rotary tube with 27 mm diameter

Drawings of individual components of lock 629 610 000

Catch set right/left (ø 27)

Material: forged stainless steel  
Surface: particle-blasted/brushed  
Weight: approx. 0.52 kg/each  
Article No. 629 616 000



## Door gear internal

Internal French casement bolts gears for doors on commercial vehicle bodywork.

Pan depth only 29 mm, or 23 mm, completely flat outer finish, symmetrical, mounting on the left or the right door possible, split handle shaft, advantageous for repair and lock adjustment.

Three lock possibilities:

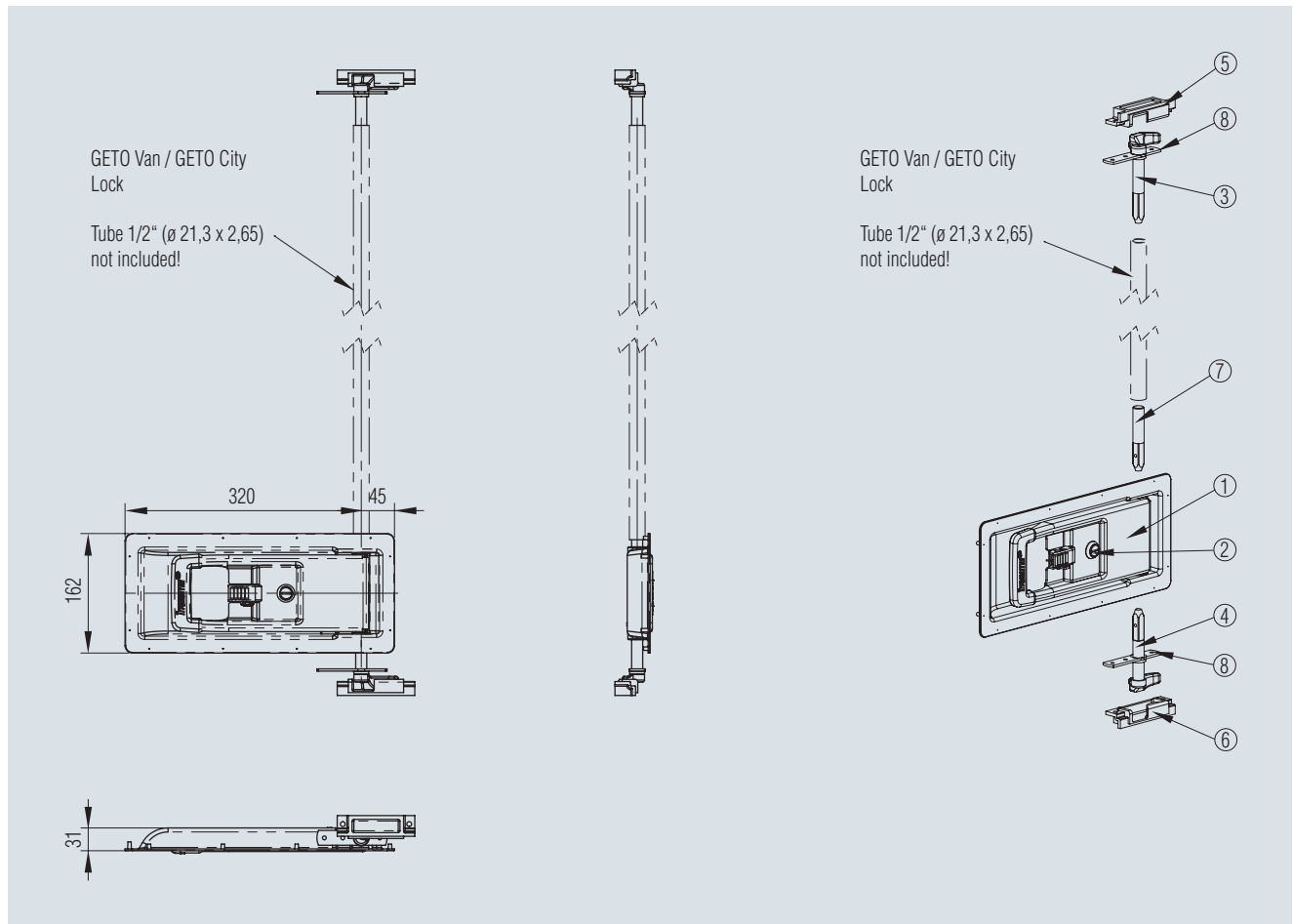
1. Padlock
2. Chubb-lock
3. Cylinder lock

Operator-friendly with customs interlocking mechanism according to the regulation. Three versions of cams and boxes at the moment to be combined one under the other, two of them with inclined plane for the activation of a vertical stiffening effect on the door wings.

A complete recessed lock consists of:  
(please order accordingly)

Component	see page
Pan lock complete	
Handle shaft	62.01.02.3-5
Cylindrical pin	
Cam guide	
Cam	62.01.02.6-7
Closing box	
Chubb lock or cylinder lock	62.01.02.8

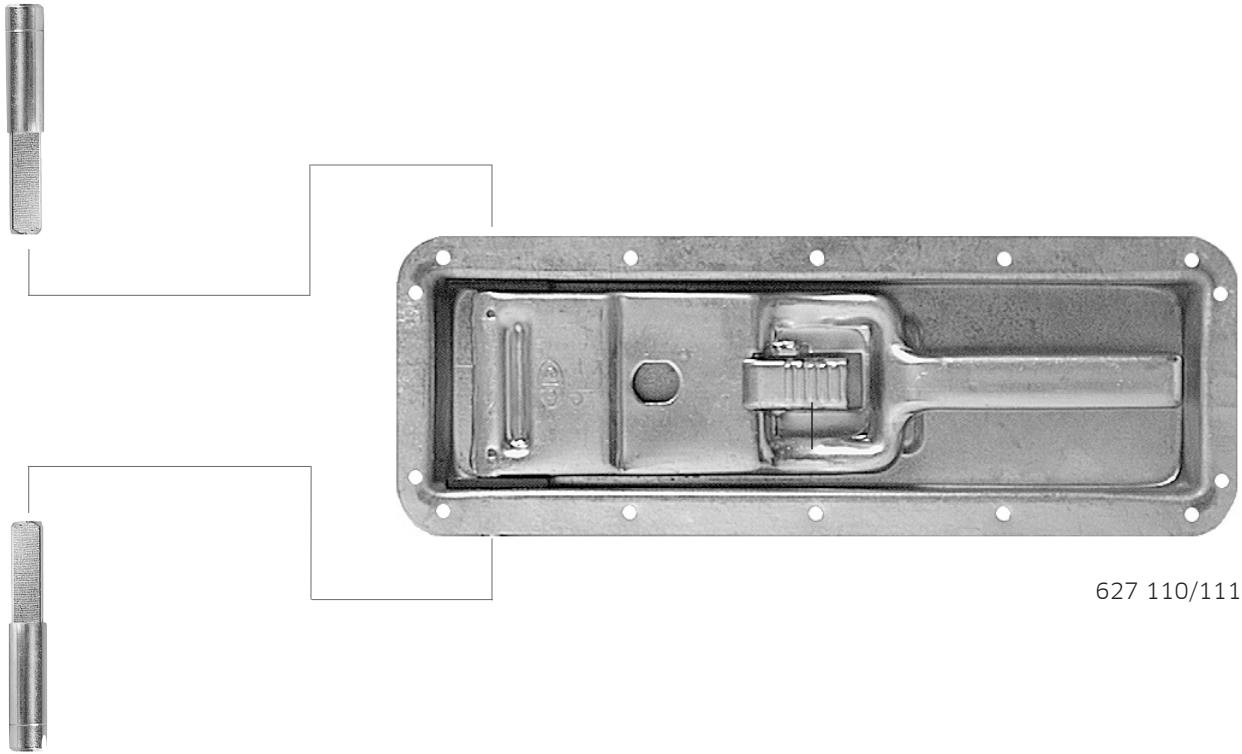
# Door gear internal



Position	Piece	Description	Material	Article No.
1	1	Aluminium keeper MB9147 with stainless steel handle plate	Aluminium / stainless steel	627 175 001
2	1	Locking cylinder 89031	galvanised	628 370 000
3	1	Locking catch top left / bottom right	galvanised	628 266 000
4	1	Locking catch bottom left / top right	galvanised	628 265 000
5	1	Lock casing top left / bottom right	galvanised	628 338 000
6	1	Lock casing bottom left / top right	galvanised	628 340 000
7	1	Square shaft	galvanised	896 552 083
8	2	Revolving hook top / bottom	galvanised	628 024 000

Tube not included!

## Door gear internal



627 110/111

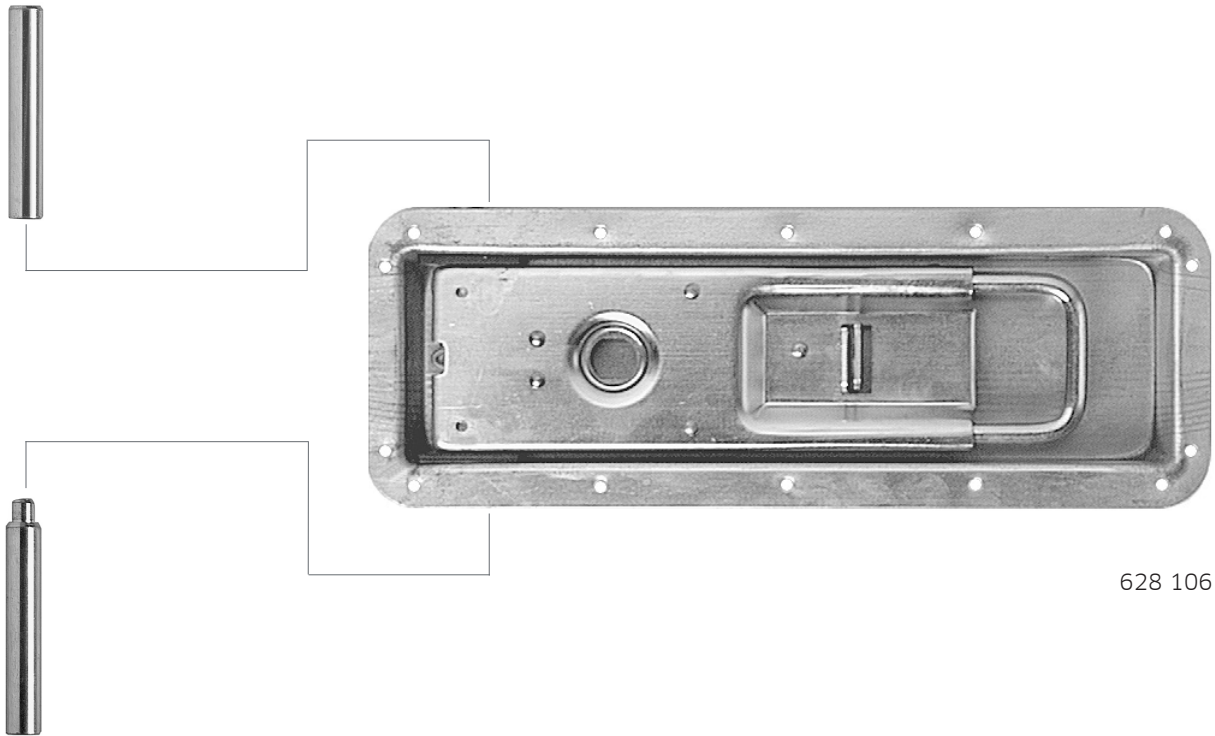
### Pan lock complete, steel galvanised, 29 mm pan depth

Description	Original supply	Spare part	Quantity	Material	Weight	Article No.
			[piece]		[kg/each]	29 [mm]
Pan, handle + catch spring, complete	•	-	1	Steel, galvanised	2.100	627 110
Handle shaft	•	-	2	Steel, galvanised	0.350	627 500
Cylindrical pin	•	-	2	Stainless steel, rust-free	0.010	627 542
Catch	-	•	-	Steel, galvanised	0.070	627 578
Catch spring hand lever	-	•	-	Stainless steel, rust-free	0.030	627 574
Catch spring hand lever	-	•	-	Steel, galvanised	0.030	627 573
Catch						628 017

### Pan lock complete, steel rust-free, 29 mm pan depth

Description	Original supply	Spare part	Quantity	Material	Weight	Article No.
			[piece]		[kg/each]	29 [mm]
Pan, handle + catch spring, complete	•	-	1	Stainless steel, rust-free	2.100	627 111
Handle shaft	•	-	2	Stainless steel, rust-free	0.350	627 502
Cylindrical pin	•	-	2	Stainless steel, rust-free	0.010	627 542
Catch	-	•	-	Steel, galvanised	0.070	627 578
Catch spring hand lever	-	•	-	Stainless steel, rust-free	0.030	627 574
Catch spring hand lever	-	•	-	Steel, galvanised	0.030	627 573
Catch						628 017

## Door gear internal



628 106

### Pan lock complete, steel galvanised, 23 mm pan depth

Description	Original supply	Spare part	Quantity	Material	Weight	Article No.
			[piece]		[kg/each]	[mm]
Pan, handle + catch spring, complete	•	-	1	Steel, galvanised	2.000	628 106
Handle shaft	•	-	1	Steel, galvanised	0.350	627 510
Cylindrical pin	•	-	2	Stainless steel, rust-free	0.010	627 542
Catch spring hand lever	-	•	-	Stainless steel, rust-free	0.030	627 572
Catch	-	-	-	-	-	628 118



## Door gear internal



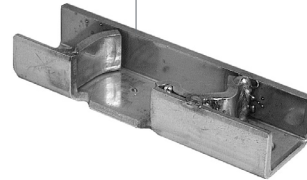
628 265



628 340



627 682



627 781

### Cams and keepers suitable for 627 110 /627 111

Type	Material	Cams		Keepers		
		Weight approx. [kg/each]	Article No. top right, bottom left	Article No. top left, right below	Weight approx. [kg/each]	Article No. top right, bottom left top left, right below
GV	Steel, galvanised	0.230	628 265	628 266	0.155	628 340 628 338
	Stainless steel	0.070	627 682	627 682	0.210	627 781 627 780

### Lock rod guide (for 627 110/111)

- Suitable for each cam
- Robust construction

**Material:** Stainless steel, rust-free  
**Weight:** approx. 0.06 kg  
**Article No** 627 625



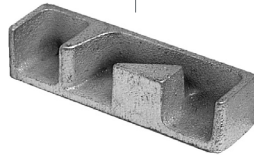
## Door gear internal



628 026



628 265



628 030



628 340

### Cams and keepers suitable for 628 106

Type	Material	Cams		Keepers			
		Weight approx. [kg/each]	Article No. top right, bottom left	Article No. top left, right below	Weight approx. [kg/each]	Article No. top right, bottom left	Article No. top left, right below
St	Steel, raw	0.160	628 026	628 028	0,155	628 030	628 032
	Steel, galvanised	0.160	628 326	628 328			
GV	Steel, galvanised	0.250	628 265	628 266	0,155	628 340	628 338

### Lock rod guide (for 628 106)

- Suitable for each cam.
- Robust construction.

Material: Sheet steel, pressed  
 Finish: galvanised, passivated  
 Weight: approx. 0.045 kg  
 Article No. 628 024



# Door gear internal

## Cylinder lock

- Suitable for being inserted in the handle opening
- With 2 keys
- Key-insertion with dust shield stainless steel

Weight: approx. 0.07 kg/each



621 090 000



628 350 000

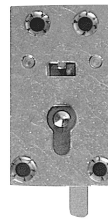


628 360 000

## Chubb lock

- To be screwed later into the available thread on the back of the lock handle.

Weight: approx. 0.14 kg/each



628 052 000

Lock type	Article No. Cylinder lock			Article No. Chubb lock		
	Lock	Cylinder compl.	Spare key	Lock	Chubb lock compl.	Spare key
627 110/111	89031	621 090 000	628 390 000	7	628 052 000	-
-	89031	628 350 000	628 390 000	-	-	-
-	89031	628 360 000	628 390 000	-	-	-



## Door gear internal

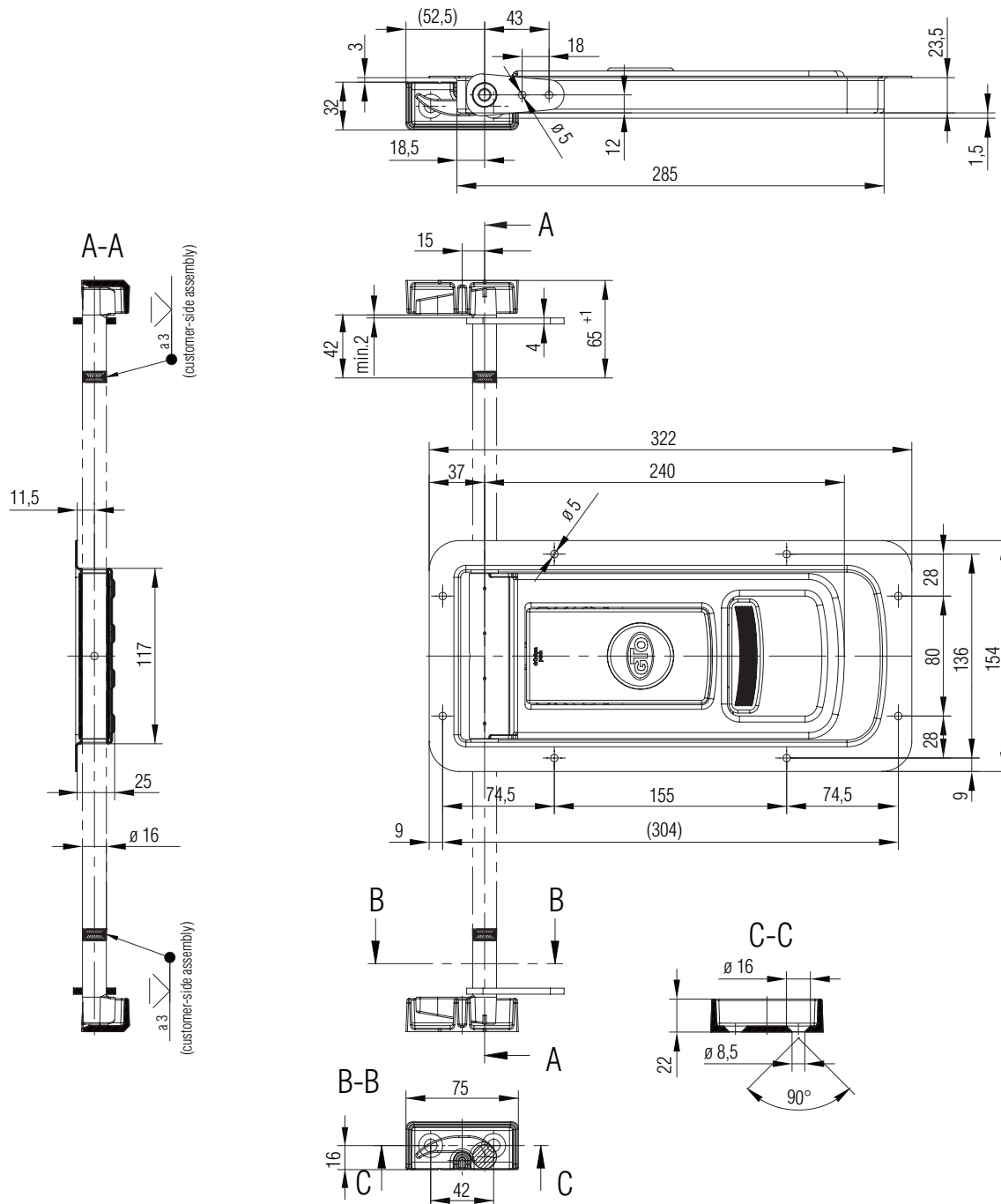
**Range of embedded stainless-steel locking devices**  
Our 891.16 and 891.16T embedded locks are ideal for fitting to the bodies of light commercial vehicles and for the entire range of body kits designed for dry and refrigerated transport. Recesses with installation depths of 25 mm and 28.5 mm are available. The design has been specially-configured to create a deserved impression of quality. The customs-seal attachment and optional cylinder lock with various locking mechanisms are covered with a spring-loaded flap.



# Door gear internal, recess depth: 25 mm

Embedded recessed lock 891.16

Fitting dimensions:



- Round  $\varnothing 16$  approved to DIN EN 10278 or  $\varnothing 16 \times 2.5$  tube approved to DIN EN 10305 (not supplied)
- Optional lock available as an accessory for retrofitting (see table)!

- The right-hand door is shown here. The left-hand door is the mirror image of the right, with the corresponding combination of individual components
- The hand lever of the lock rod can be fitted by means of either two welded seams on the lock rod mounting (rear side) or with four  $\varnothing 6 \times 22$  grooved dowel pins (supplied)

## Door gear internal, recess depth: 25 mm

### Embedded recessed lock 891891.16

The ideal recessed lock for dry and refrigerated transport, with an installation depth of 25 mm

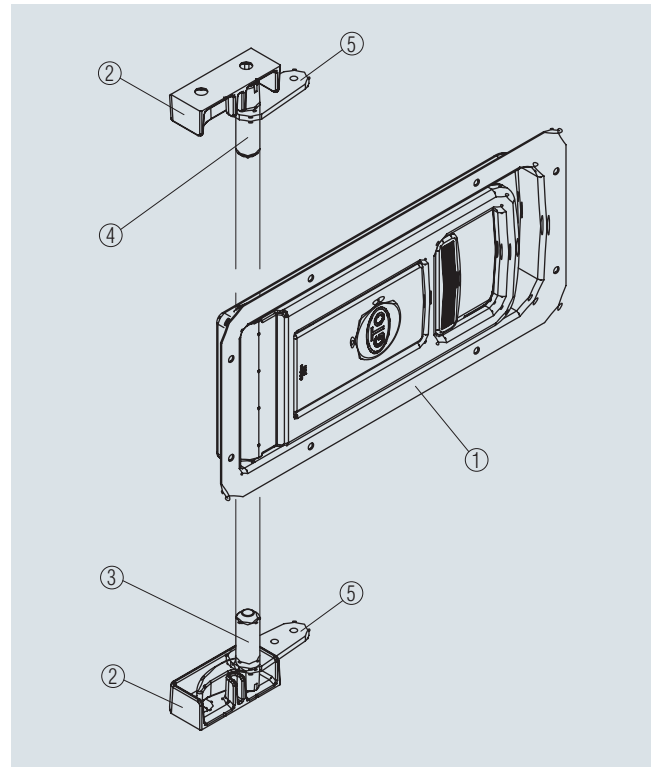
- Maximum strength combined with minimal weight
- Attractive design (no visible plastic components)
- With locking catches designed to ensure smooth and easy operation
- Fixing holes compatible with many locks currently available on the market
- Can be unlocked from inside in an emergency
- Also available with customs-seal attachment
- Optional cylinder lock available

#### Spare parts:

Return spring for hand lever, Article no. 628 580 000

Total weight: approx. 2.1 kg/unit

Article No. 628 560 000



Position	Unit	Description	Material	Finish	Article No.
1	1	Embedded locking mechanism without cylinder lock ET 25 mm	Stainless steel	electrolytic polished	628 561 000
2	2	Lock casing 1/2"	Stainless steel	raw	628 562 000
3	1	Revolving hook 1/2" top left/bottom right	Stainless steel	raw	628 563 000
4	1	Revolving hook 1/2" top right/bottom left	Stainless steel	raw	628 564 000
5	2	Cover plate	Stainless steel	raw	628 566 000
		<b>Complete lock assembly</b>			<b>628 560 000</b>

#### Accessories

Cylinder lock, supplied with two keys

Lock No.	Article No.
002	628 590 002
006	628 590 006
008	628 590 008
009	628 590 009

Other locks are available on request.

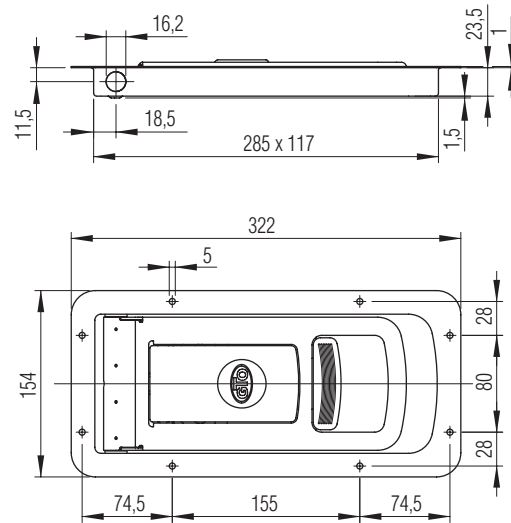
# Door gear internal, recess depth: 25 mm

Drawings of individual components of lock 628 560 000 (891.16)

## Embedded locking mechanism 891.16

- Installation depth 25 mm
- Without cylinder lock
- For 16 mm  $\varnothing$  tube

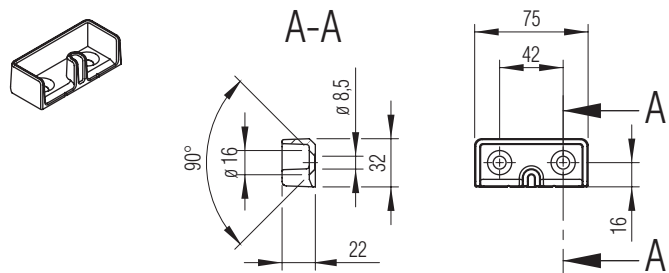
**Material:** Stainless steel  
**Surface:** electrolytic polished  
**Weight:** 1.622 kg/each  
**Article No.** 628 561 000



## Lock casing 1/2"

- Symmetrical

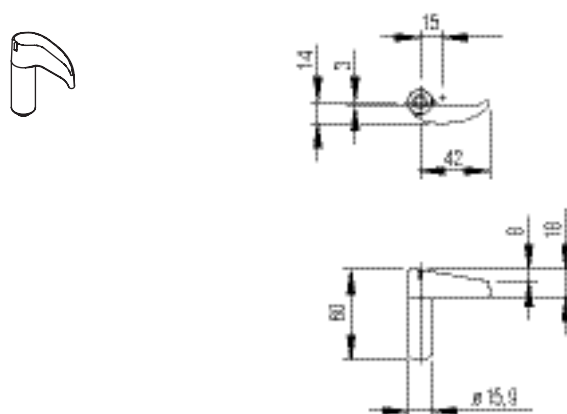
**Material:** Stainless steel  
**Surface:** raw  
**Weight:** 0.140 kg/each  
**Article No.** 628 562 000



## Revolving hook 1/2"

- Top left/bottom right

**Material:** Stainless steel  
**Surface:** raw  
**Weight:** 0.132 kg/each  
**Article No.** 628 563 000





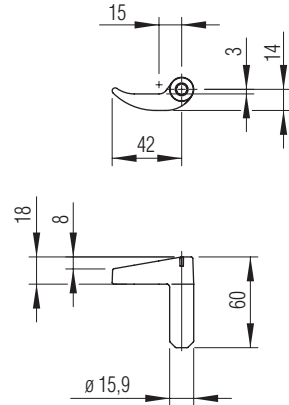
# Door gear internal, recess depth: 25 mm

Drawings of individual components of lock 628 560 000 (891.16)

## Revolving hook 1/2"

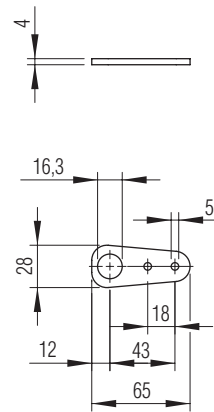
– Top right/bottom left

**Material:** Stainless steel  
**Surface:** raw  
**Weight:** 0.132 kg/each  
**Article No.** 628 564 000



## Cover plate 1/2"

**Material:** Stainless steel  
**Surface:** raw  
**Weight:** 0.057 kg/each  
**Article No.** 628 566 000





## Door gear internal, recess depth: 28.5 mm

### Embedded recessed lock 891.16T

The ideal recessed lock for dry and refrigerated transport, with an installation depth of 28.5 mm

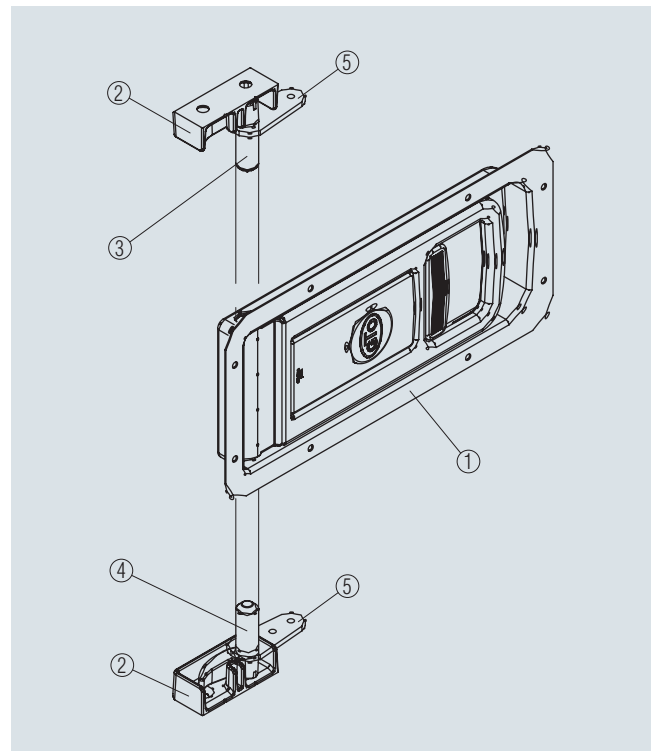
- Maximum strength combined with minimal weight
- Attractive design (no visible plastic components)
- With locking catches designed to ensure smooth and easy operation
- Fixing holes compatible with many locks currently available on the market
- Can be unlocked from inside in an emergency
- Also available with customs-seal attachment
- Optional cylinder lock available

#### Spare parts:

Return spring for hand lever, Article no. 628 580 000

Total weight: approx. 2.2 kg/unit

Article No. 628 570 000



Position	Unit	Description	Material	Finish	Article No.
1	1	Embedded locking mechanism without cylinder lock ET 28.5 mm	Stainless steel	electrolytic polished	628 571 000
2	2	Lock casing	Stainless steel	raw	628 562 000
3	1	Revolving hook, top right/bottom left	Stainless steel	raw	628 564 000
4	1	Revolving hook, top left/bottom right	Stainless steel	raw	628 563 000
5	2	Cover plate	Stainless steel	raw	628 566 000
		Complete lock assembly			628 570 000

#### Accessories

Cylinder lock, supplied with two keys

Lock No.	Article No.
002	628 590 002
006	628 590 006
008	628 590 008
009	628 590 009

Other locks are available on request.

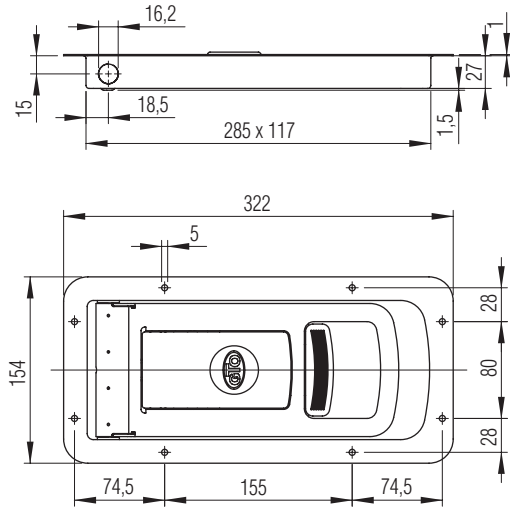
# Door gear internal, recess depth: 28.5 mm

Drawings of individual components of lock 628 570 000 (891.16T)

## Embedded locking mechanism 891.16T

- Installation depth 28.5 mm
- Without cylinder lock
- For 16 mm  $\varnothing$  tube

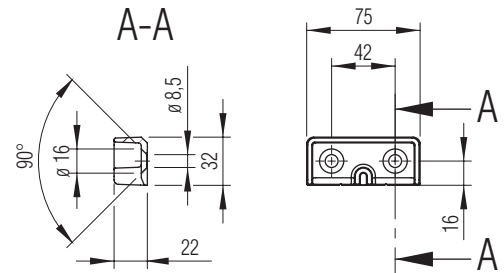
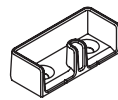
**Material:** Stainless steel  
**Surface:** electrolytic polished  
**Weight:** 1.622 kg/each  
**Article No.** 628 571 000



## Lock casing 1/2"

- Symmetrical

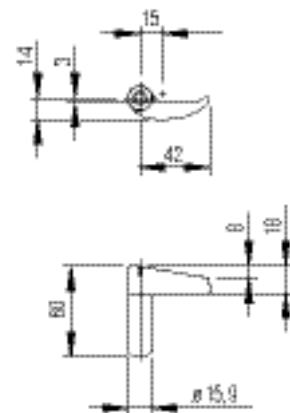
**Material:** Stainless steel  
**Surface:** raw  
**Weight:** 0.140 kg/each  
**Article No.** 628 562 000



## Revolving hook 1/2"

- Top left/bottom right

**Material:** Stainless steel  
**Surface:** raw  
**Weight:** 0.132 kg/each  
**Article No.** 628 563 000



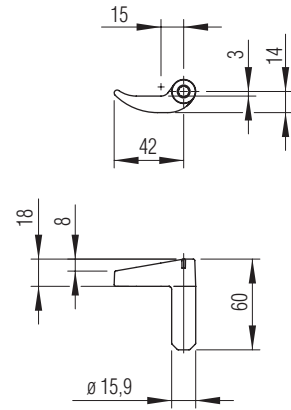
# Door gear internal, recess depth: 28.5 mm

Drawings of individual components of lock 628 570 000 (891.16T)

## Revolving hook 1/2"

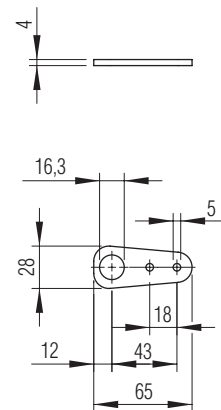
– Top right/bottom left

**Material:** Stainless steel  
**Surface:** raw  
**Weight:** 0.132 kg/each  
**Article No.** 628 564 000



## Cover plate 1/2"

**Material:** Stainless steel  
**Surface:** raw  
**Weight:** 0.057 kg/each  
**Article No.** 628 566 000

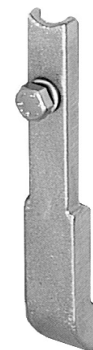
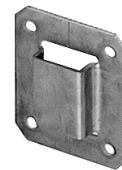
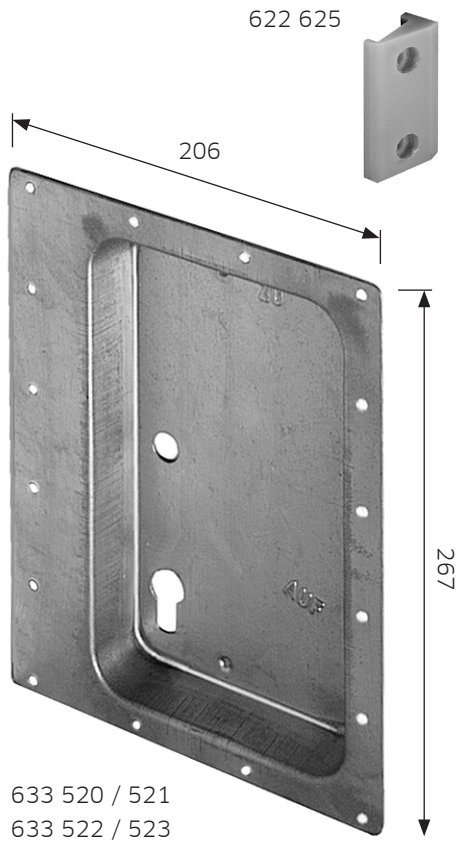


# Rod locks

## Connecting rod lock

- Suitable for fitting in rear doors, side doors and flaps as simple 3-point-lock with chubb-lock or cylinder lock
- See overleaf for details of items supplied and spare parts

Illustration shows right



All technical specifications contained in this brochure are approximate and no guarantee is given as to their accuracy. Designs are subject to change.

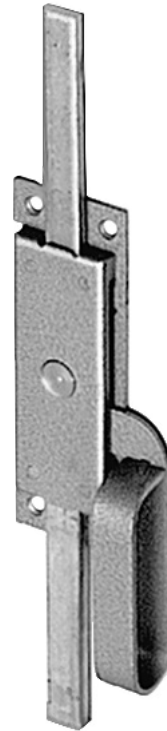


## Rod locks

### Loop handle connecting key-bolt

For connecting rod joint square 20 x 7 mm

Over-all dimensions:	60 x 174 mm
Box dimensions:	50 x 130 mm
Total height:	12 mm
Accessory:	Rod guide 626 159
Material:	Steel, galvanised
Weight:	approx. 0.850 kg/each
Article No.	<b>626 150</b> - right <b>626 151</b> - left



626 150



# Rod locks

## 2-point-connecting rod locks

- Release plate lock with rods and spring-latch easy to handle
- Suitable for connection by cylinder lock close to the release plate



### Installation

**dimension:** 110 x 85 mm  
**Fitting depth:** approx. 20 mm  
**Material:** Stainless steel, rust-free  
**Weight:** approx. 1.390 kg

Description	Lock	Article No.
Release plate lock	502	621 297
	506	621 300
Spare cylinder lock	502	620 951
	504	620 952
	505	620 953
	506	620 954
Spare key	502	620 906
	505	620 910
	506	620 908
End-latch	-	621 302
Rod, 760 mm	-	621 301



621 302



621 300



621 302



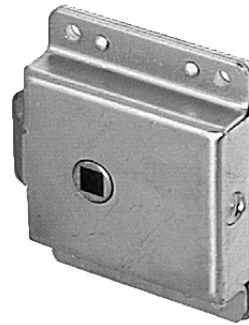
All technical specifications contained in this brochure are approximate and no guarantee is given as to their accuracy. Designs are subject to change.

## Latches

### Latch

- Surface mounted, left/right latch
- With 8 mm socket for handle on both sides

**Total height:** 18 mm.  
**Overall dimensions:** 87 x 68 mm.  
**Material:** Steel, galvanised, coloured passivated  
**Weight:** approx. 0.285 kg/each  
**Article No.** 620 560



### Latch

- Surface mounted, left/right latch
- With 8 mm socket for handle on one face and release latch for internal security.

**Total height:** 18 mm  
**Overall dimensions:** 87 x 68 mm.  
**Material:** Steel, chrome-plated  
**Weight:** approx. 0.330 kg/each  
**Article No.** 620 570



## Paddle locks

### Paddle lock

- Paddle lock with rods and spring-catch easy to handle
- Closing mechanism within the plate. Internal release mechanism

**Overall dimension:** 120 x 95 x 38 mm

#### Installation

**dimension:** 94 x 74 mm

**Material:** Stainless steel, rust-free

**Weight:** approx. 0.355 kg/each

Description	Lock	Article No.
Paddle lock	502	620 897
	506	620 900
Substitution lock cylinder	502	620 951
	506	620 954
Spare key	502	620 906
	506	620 908



620 900



### Paddle lock

- Catch for right and left doors easy to handle
- Closing mechanism close to the release plate
- 4 mounting holes with  $\varnothing$  4 mm

**Overall dimension:** 140 x 108 x 38 mm

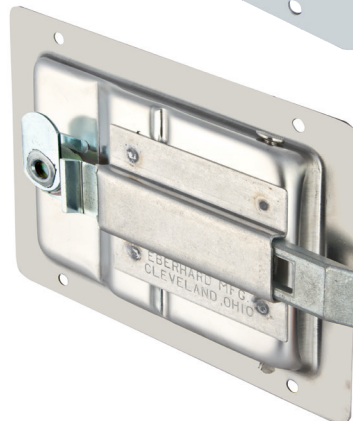
#### Installation

**dimension:** 110 x 85 mm

**Material:** Stainless steel, rust-free

**Weight:** approx. 0.530 kg/each

Description	Lock	Article No.
Paddle lock	502	620 947
	506	620 950
Substitution lock cylinder	502	620 951
	506	620 954
Spare key	502	620 906
	506	620 908



620 950



## Budget locks

### Budget lock

- Surface-mounted
- Tongue ground to a taper
- Closes to right and left

Dimension B x L x H [mm]	Hole spacing [mm]	Material	Weight approx. [kg/each]	Article No.
100 x 19 x 10	81	Steel, galvanised	0.080	620 021
125 x 25 x 13.5	102	Steel, galvanised	0.160	620 031



620 031

# Sliding door locks

## Sliding door lock

– With 8 mm square hole for door handles inside and out

**Hook closing depth:** Short 10 mm, interlockable by operating lever at the lock, 28 mm long, not lockable

**Overall dimensions:** 60 x 155 mm

**Box dimensions:** 60 x 125 mm

**Total height:** 18 mm

**Accessory:** Lock striker Article No. 623 156

**Material:** Steel, black painted

**Weight:** approx. 0.700 kg/each

**Article No.** 623 150 – right

623 151 – left



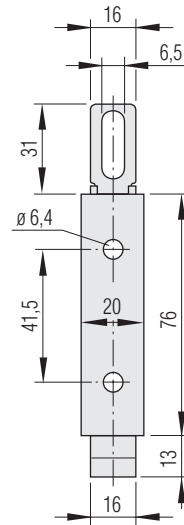
623 150

# Spring latches

## Spring latches

- For driving rod connection
- Total height 18 mm

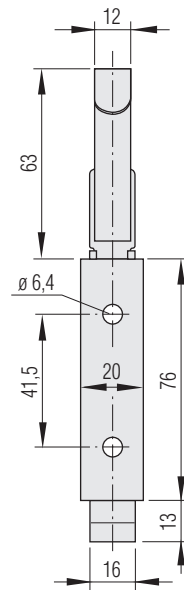
**Material:** Steel, galvanised  
**Weight:** approx. 0.180 kg/each  
**Article No.** 620 060



## Spring latch

- With supporting loop
- Total height 18 mm
- Handle loop 63 mm

**Material:** Steel, galvanised  
**Weight:** approx. 0.200 kg/each  
**Article No.** 620 080



All technical specifications contained in this brochure are approximate and no guarantee is given as to their accuracy. Designs are subject to change.

**Titgemeyer GmbH & Co. KG**

Hannoversche Straße 97  
49084 Osnabrück / DE

P.O. Box 4320  
49033 Osnabrück / DEU

T +49 (0)541/5822-0  
E [info@titgemeyer.com](mailto:info@titgemeyer.com)  
W [titgemeyer.com](http://titgemeyer.com)