

Fastening Technology / Blind Rivets

# TIFAS<sup>®</sup> Grip Blind Rivets



### **Copyright**

All texts, images, technical documents and other information contained in this catalogue are subject to copyright held by Titgemeyer GmbH & Co. KG. Any reproduction or disclosure, whether as a copy or other form of duplication or use, is expressly prohibited without the prior consent of Titgemeyer GmbH & Co. KG.

### **Registered trademarks**

The trademarks BÖRTI, GETO, GETO therm, GETOVAN, GTO, LockBolt, MEGA PORT, plasti van, PLYFIX, POLYSTIC, press-ti, RIEKO, RIV-TI, ROLL-TO, TIBOLT, TIBULB, TIFAS, TILA, TIOS and Titgemeyer are registered trademarks and the intellectual property of Titgemeyer GmbH & Co. KG.

### **Term of Delivery and Payment**

All deliveries are carried out in compliance with our Terms of Delivery and Payment.

### **Limitation of liability**

All technical data, performance descriptions, drawings, illustrations, measurements, weights or any other performance data, recommendations and guidelines contained in this catalogue and relating to the installation of parts that we supply are only binding if so expressly agreed. Moreover, the user is obliged at all times to check each individual use and decide whether the components that we supply can be used as needed.

We accept liability in the case of wilful intent, gross negligence and infringement of cardinal contractual duties as well as for errors in respect of express or implied representations. Notwithstanding this, any claims for compensation not explicitly agreed to in these terms and conditions are hereby excluded in the case of customers who are not consumers and, in the case of such customers, who are not consumers, at all events limited to the damage foreseeable at the time of concluding the contract as well as to the value of the delivered consignment. To the extent that our liability is excluded or limited, this shall extend accordingly to the personal liability of employees, legal representatives and vicarious agents. In all instances of gross negligence committed by vicarious agents, we shall solely be liable to customers, who are not consumers, to compensate for typically foreseeable damage. The statutory regulation governing the burden of proof shall remain unaffected. The aforementioned limitation of liability shall not apply to claims resulting from product liability, for damage resulting from injury to life, limb or health, or for damage to privately used property.

**All technical specifications contained in this brochure are approximate and no guarantee is given as to their accuracy. Designs are subject to change.**

# Contents

			Page
TIFAS® Grip blind rivets	Overview		5
	Brazier head with grooved mandrel	Steel/steel	6
	Brazier head with grooved mandrel	Stainless steel/stainless steel	7



# TIFAS® Grip blind rivets



The combination of a consistently large blind-side footprint, vibration resistance and a partially load-bearing as well as securely retained mandrel make the TIFAS® Grip blind rivet the ideal choice for thin components that need to withstand high loads. The application of bearing pressure compensates for drilled hole tolerances.

## Benefits at a glance

- Universal use
- Forms a large blind side footprint, very suitable for thin materials, superior anti-removal values
- Securely fitting mandrel (rattle-free)
- Enhanced tensile strength in the area of shear when the mandrel rests within the area of shear
- Rolled mandrel, reduced jaw wear and tear
- Mandrel head with tapered end
- Quick and secure installation
- Permanent secure fixing
- Heatless installation means component will not warp
- Eliminates extensive refinishing
- Ideal for lightweight constructions



## Applications

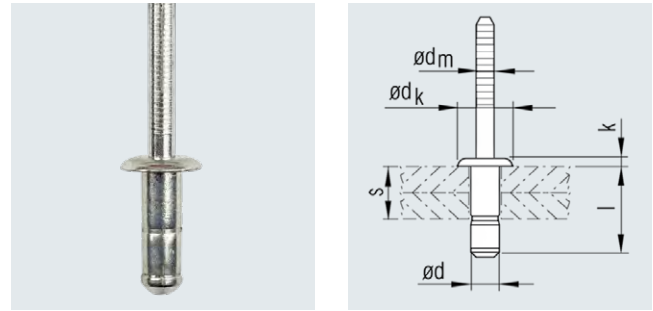
- General industry
- Automotive industry
- Construction industry
- Bodywork and vehicle manufacture

# TIFAS® Grip blind rivets

## Brazier head with grooved mandrel

### Material

	
Sleeve	Mandrel
Steel, galvanised	Steel, galvanised



Nominal $\varnothing$ d [mm]	Bore $\varnothing$ [mm]	Grip range s [mm]	Blind sleeve l ±0.5 [mm]	Blind rivet head $\varnothing$ dk** [mm]	Height k max. [mm]	Mandrel $\varnothing$ dm nom. [mm]	Nominal strength at break*		Article No.
							Shear N	Tensile N	
3.2	3.3	1.0 - 3.0	7.0	6.5	1.4	2.0	1000	1050	413 272 000
		3.0 - 5.0	9.0	6.5	1.4	2.0	1400	1050	413 273 000
		5.0 - 7.0	11.5	6.5	1.4	2.0	2000	1050	413 274 000
4.0	4.1	1.0 - 3.0	8.0	8.0	1.5	2.5	1900	2200	413 275 000
		3.0 - 5.0	10.0	8.0	1.5	2.5	2800	2200	413 276 000
		5.0 - 7.0	12.5	8.0	1.5	2.5	3300	2200	413 277 000
4.8	4.9	1.5 - 3.5	9.0	9.0	1.5	3.0	2800	3000	413 280 000
		3.5 - 6.0	12.0	9.0	1.5	3.0	3300	3000	413 281 000
		6.0 - 8.5	15.0	9.0	1.5	3.0	4400	3000	413 282 000

\* Strengths at break relate to rivet failure

\*\* Tolerance:  $\varnothing$  3.2: +0.6 mm / -0.7 mm;  $\varnothing$  4.0: +0.3 mm / -1.0 mm;  $\varnothing$  4.8: +0.9 mm / -0.4 mm

Other designs available on request.

# TIFAS® Grip blind rivets

## Brazier head with grooved mandrel

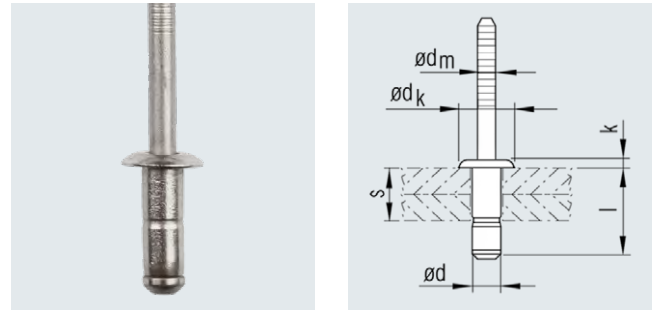
### Material

Sleeve

Stainless steel A2

Mandrel

Stainless steel A2



Nominal Ø d [mm]	Bore Ø [mm]	Grip range s [mm]	Blind sleeve l ±0.5 [mm]	Blind rivet head		Mandrel Ø dm nom. [mm]	Nominal strength at break*		Article No.
				Ø dk +0.6 -0.7 [mm]	Height k max. [mm]		Shear N	Tensile N	
3.2	3.3	1.0 - 3.0	7.0	6.5	1.4	2.0	1300	1600	413 400 907
		3.0 - 5.0	9.2	6.5	1.4	2.0	1400	1600	413 401 907
		5.0 - 7.0	11.5	6.5	1.4	2.0	2500	1600	413 402 907
4.0	4.1	1.0 - 3.0	8.0	7.7	1.5	2.5	2200	3200	413 410 907
		3.0 - 5.0	10.0	7.7	1.5	2.5	4200	3200	413 411 907
		5.0 - 7.0	12.5	7.7	1.5	2.5	4200	3200	413 412 907
4.8	4.9	1.5 - 3.5	10.0	9.3	1.5	3.0	4400	4000	413 420 907
		3.5 - 6.0	12.0	9.3	1.5	3.0	4400	4000	413 421 907
		6.0 - 8.5	15.0	9.3	1.5	3.0	4400	4000	413 422 907

\* Strengths at break relate to rivet failure

The shear strength at break is impacted by where the spent mandrel is located on the area of break.

Other designs available on request.

## About us

The Titgemeyer Group is a leading company for fastening technology and vehicle components at 15 locations in Europe.

The traditional company develops, manufactures and sells more than 30,000 fastening elements, tools and vehicle components – in series production and on request.

### Headquarters

**Titgemeyer GmbH & Co. KG**  
Hannoversche Straße 97  
49084 Osnabrück / DE

PO Box 4320  
49033 Osnabrück / DE

T +49 541 5822-0  
E [info@titgemeyer.com](mailto:info@titgemeyer.com)  
W [titgemeyer.com](http://titgemeyer.com)



### Sales locations

**Titgemeyer Austria GmbH**  
Brunner Straße 77 - 79  
1230 Wien / AT

T +43 (0) 1/6 67 90 40 - 0  
E [sales@titgemeyer.com](mailto:sales@titgemeyer.com)  
W [titgemeyer.at](http://titgemeyer.at)

**Titgemeyer CZ spol. s r. o.**  
U Vodárny 1506  
397 01 Písek / CZ

T +420 382 2067 - 25  
E [sales@titgemeyer.com](mailto:sales@titgemeyer.com)  
W [titgemeyercz.cz](http://titgemeyercz.cz)

**Titgemeyer Polska sp. z o.o.**  
Cypriana Bazylika 17  
98-200 Sieradz / PL

T +48 (0) 43 828 20 - 15  
E [sales@titgemeyer.com](mailto:sales@titgemeyer.com)  
W [titgemeyer.pl](http://titgemeyer.pl)

**Titgemeyer Skandinavien A/S**  
Lunikvej 32  
2670 Greve / DK

T +45 4360 0966  
E [info@titgemeyer.dk](mailto:info@titgemeyer.dk)  
W [titgemeyer.dk](http://titgemeyer.dk)

**Titgemeyer Skandinavien A/S**  
Box 3218  
550 03 Jönköping / SE

T +46 36 128350  
E [info@titgemeyer.se](mailto:info@titgemeyer.se)  
W [titgemeyer.se](http://titgemeyer.se)

**Titgemeyer Skandinavien A/S**  
Korkeakoulunkatu 7  
33720 Tampere / FI

T +358 (0) 400 448 401  
E [info@titgemeyer.fi](mailto:info@titgemeyer.fi)  
W [titgemeyer.fi](http://titgemeyer.fi)

**Titgemeyer Turkey Baglanti Teknolojileri San. ve Tic. A.S.**  
Barbaros Mah. Is Merkezi No.1  
Kat: 8 D.58  
34746 Atasehir, Istanbul / TUR

T +90 (0) 21 66 88 20 - 27  
E [sales@titgemeyer.com.tr](mailto:sales@titgemeyer.com.tr)  
W [titgemeyer.com.tr](http://titgemeyer.com.tr)

**Titgemeyer (UK) Limited**  
A2 Link One Industrial Park  
George Henry Road  
DY4 7BU Tipton / UK

T +44 (0) 1 21 5 57 97 - 77  
E [sales@titgemeyer.co.uk](mailto:sales@titgemeyer.co.uk)  
W [titgemeyer.co.uk](http://titgemeyer.co.uk)

### Production sites

**Cirteq Limited**  
'Hayfield' Colne Road,  
Glusburn, Keighley,  
West Yorkshire, BD20 8QP

T +44 1535 633333  
E [sales@cirteq.com](mailto:sales@cirteq.com)  
W [cirteq.com](http://cirteq.com)

**Titgemeyer Tools & Automation spol s.r.o.**  
U Vodárny 1506  
397 01 Písek / CZ

T +42 382 2067 - 11  
E [info@rivetec.cz](mailto:info@rivetec.cz)  
W [rivetec.cz](http://rivetec.cz)

**RIEKO GmbH**  
Robert-Bosch-Straße 9  
72124 Pliezhausen / DE

T +49 7127 9744 - 0  
E [info@rieko-web.com](mailto:info@rieko-web.com)  
W [rieko-web.com](http://rieko-web.com)

**Titgemeyer GmbH & Co. KG Werk Lotte**  
Daimlerstraße 13 - 15  
49504 Lotte / DE

T +49 5404 9666 - 0  
E [info@titgemeyer.com](mailto:info@titgemeyer.com)  
W [titgemeyer.com](http://titgemeyer.com)

**TS Gesellschaft für Transport- und Sicherungssysteme mbH**  
Haßlinghauser Straße 156  
58285 Gevelsberg / DE

T +49 541 5822 - 900  
E [ts@cargocontrol.de](mailto:ts@cargocontrol.de)  
W [wir-sind-ladungssicherung.de](http://wir-sind-ladungssicherung.de)