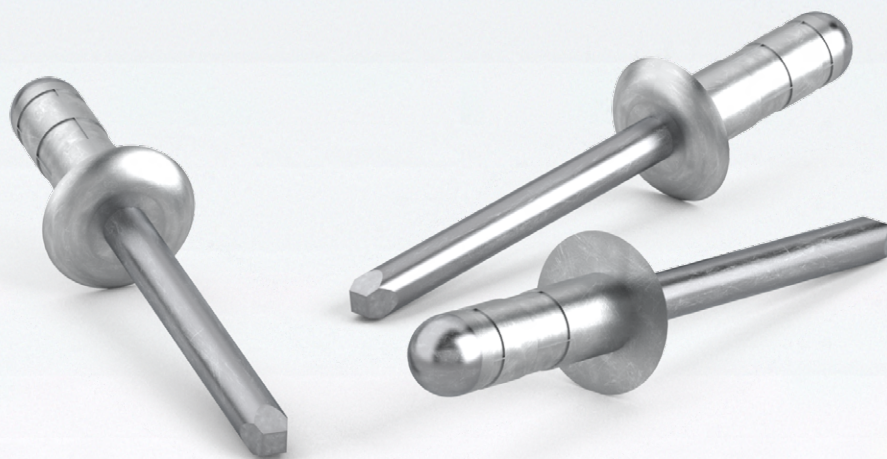


Fastening Technology / Blind Rivets

TIFAS[®] Multigrip Blind Rivets



Contents

			Page
TIFAS® Multigrip blind rivets	Overview		4
	Truss head	Aluminium/steel	6
	Large truss head	Aluminium/steel	7
	Countersunk 120°	Aluminium/steel	8
	Truss head	Aluminium/stainless steel A2	9
	Truss head	Steel/steel	10
	Large truss head	Steel/steel	11
	Countersunk 120°	Steel/steel	12
	Truss head	Stainless steel A2/stainless steel A2	13
	Truss head	Aluminium/steel, RAL 9005	14
	Truss head	Aluminium/steel, RAL 9010	15
	Truss head	Aluminium/steel, RAL 9011	16

TIFAS® Multigrip blind rivets



The outstanding features of this multifaceted blind rivet are its flexibility and large gripping surface, which means that less storage space and fewer different tools are needed. Other benefits of the rivet include its high tensile strength, good bearing pressure and vibration resistance. Designed for applications involving varying gripping areas.

Large grip range

The multi-purpose properties of this blind rivet mean that it can replace a large number of standard blind rivets (simplified dispatch, lower stock inventory, varied dimensions)

Hole-filling properties

The rivet shank swages radially during installation, thus compensating for tolerances in bore \varnothing and hole spacing and ensuring the fastening is tight with zero clearance. Its hole-filling properties make the TIFAS® Multigrip ideal for repair work.

Secure mandrel retention

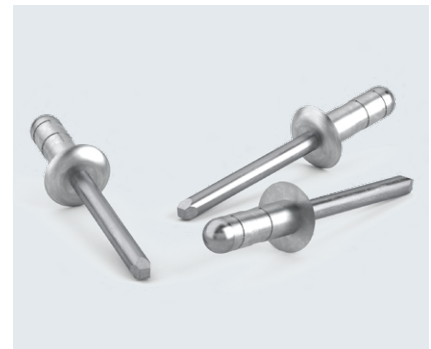
As the TIFAS® Multigrip retains the mandrel securely and flush, there is no rattling from loose spent mandrels or any risk of spent mandrels being lost. Once installed, the blind sleeve envelops the remaining part of the mandrel, holding it flush and securely fastened.

Sample applications

- General industry
- Automotive industry
- Construction industry
- A/C equipment
- Construction engineering
- Facade construction
- Container and housing construction
- Furniture industry
- Bodywork and vehicle manufacture

Benefits at a glance

- Universal use
- Large grip range
- Good hole-filling pressure
- Mandrel remains secured
- Ideal for hard/soft connections
- Quick and secure installation
- Permanent secure fixing
- Heatless installation means component will not warp.
- Eliminates extensive refinishing
- Combines various materials such as metals and plastics
- Ideal for lightweight constructions.




General official approval Z-14.1-4


When it comes to blind rivets, Titgemeyer offers official certification from an external monitoring body, including for some of our Multigrip versions. When running static calculations, users of these fasteners have the possibility of consulting data from the general official approval. The official approval makes the task of performing a structural analysis easier for the user.

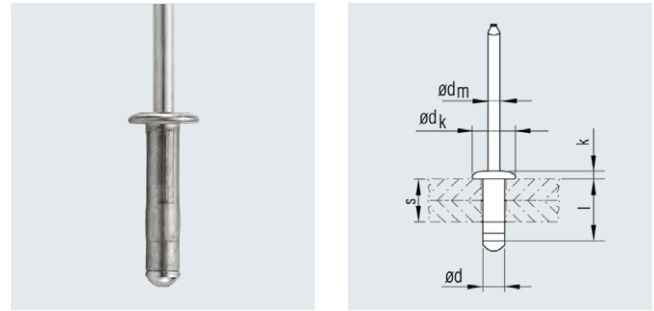
TIFAS® Multigrip blind rivets

Truss head

Material

 Sleeve:
Aluminium AlMg 2.0/2.5

 Mandrel:
Steel, galvanised



Nominal \varnothing d [mm]	Bore \varnothing [mm]	Grip range s [mm]	Blind sleeve l ± 0.3 [mm]	Blind rivet head		Mandrel \varnothing dm nom. [mm]	Nominal strength at break*		Article No.
				\varnothing dk ± 0.3 [mm]	Height k ± 0.2 [mm]		Shear [N]	Tensile [N]	
3.2	3.3 - 3.4	0.8 - 3.4	6.8	6.4	0.95	1.8	750	1040	421 120 900
		0.8 - 4.8	8.0	6.4	0.95	1.8	750	1040	421 121 001
		1.2 - 6.4	9.5	6.4	0.95	1.8	750	1040	421 126 907
		4.0 - 7.9	11.1	6.4	0.95	1.8	750	1040	421 122 001
		5.5 - 9.5	12.7	6.4	0.95	1.8	750	1040	421 123 900
4.0	4.1 - 4.2	0.5 - 3.2	6.8	7.9	1.20	2.0	1130	1700	421 310 000
		1.2 - 6.4	9.5	7.9	1.20	2.25	1130	1700	421 131 907
		3.2 - 7.9	11.1	7.9	1.20	2.25	1130	1700	421 312 907
		4.0 - 9.5	12.7	7.9	1.20	2.25	1130	1700	421 132 001
		6.4 - 12.7	16.9	7.9	1.20	2.25	1130	1700	421 136 001
4.8	4.9 - 5.0	1.6 - 6.4	10.3	9.8	1.45	2.8	1560	2400	421 141 002
		2.0 - 8.0	12.1	9.8	1.45	2.8	1560	2400	421 140 907
		4.8 - 11.1	15.1	9.8	1.45	2.8	1560	2400	429 127 907
		6.4 - 12.7	16.9	9.8	1.45	2.8	1560	2400	421 143 901
		9.0 - 15.0	19.5	9.8	1.45	2.8	1560	2400	421 149 001
		12.7 - 19.8	24.8	9.8	1.45	2.8	1560	2400	421 144 001


* Strengths at break relate to rivet failure.


Other designs available on request.

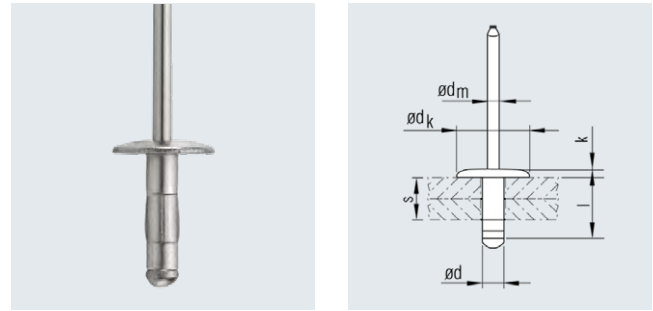
TIFAS® Multigrip blind rivets

Large truss head

Material

 Sleeve:
Aluminium AlMg 2.0/2.5

 Mandrel:
Steel, galvanised



Nominal \varnothing d [mm]	Bore \varnothing [mm]	Grip range s [mm]	Blind sleeve l ± 0.3 [mm]	Blind rivet head		Mandrel \varnothing dm nom. [mm]	Nominal strength at break*		Article No.
				\varnothing dk ± 0.3 [mm]	Height k ± 0.2 [mm]		Shear [N]	Tensile [N]	
3.2	3.3 - 3.4	0.8 - 4.8	8.0	9.50	1.20	1.80	750	1040	423 123 907
		1.2 - 6.4	9.5	9.50	1.20	1.80	750	1040	421 124 900
		4.0 - 7.9	11.1	9.50	1.20	1.80	750	1040	423 126 907
4.0	4.1 - 4.2	3.2 - 7.9	11.1	12.00	1.50	2.25	1160	1700	423 132 900
		4.0 - 9.5	12.7	12.00	1.50	2.25	1160	1700	423 134 907
		6.4 - 12.7	16.9	12.00	1.50	2.25	1160	1700	423 135 907
4.8	4.9 - 5.0	1.6 - 6.4	10.3	15.85	1.75	2.80	1590	2400	423 421 907
		4.8 - 11.1	15.1	15.85	1.75	2.80	1590	2400	423 422 907
		6.4 - 12.7	16.9	15.85	1.75	2.80	1590	2400	423 423 907
		12.7 - 19.8	24.8	15.85	1.75	2.80	1590	2400	423 424 907


* Strengths at break relate to rivet failure.


Other designs available on request.

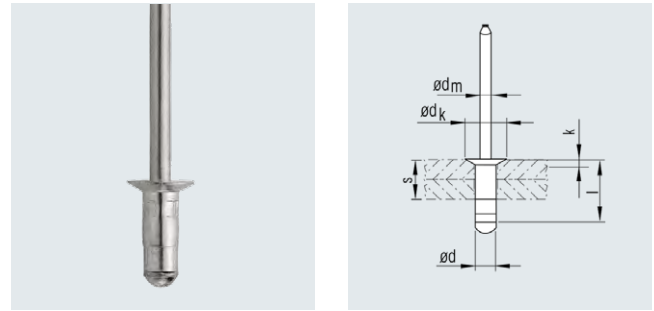
TIFAS® Multigrip blind rivets

Countersunk 120°

Material

 Sleeve:
Aluminium AlMg 2.0/2.5

 Mandrel:
Steel, galvanised



Nominal \varnothing d [mm]	Bore \varnothing [mm]	Grip range s [mm]	Blind sleeve l ± 0.3 [mm]	Blind rivet head		Mandrel \varnothing dm nom. [mm]	Nominal strength at break*		Article No.
				\varnothing dk ± 0.3 [mm]	Height k ± 0.2 [mm]		Shear [N]	Tensile [N]	
3.2	3.3 - 3.3	2.4 - 6.4	9.7	5.35	0.85	1.80	700	930	425 123 000
		4.0 - 7.9	11.1	5.35	0.85	1.80	700	930	425 124 907
		4.0 - 9.5	12.7	5.35	0.85	1.80	700	930	425 125 907
4.0	4.1 - 4.2	1.2 - 6.4	9.7	6.30	0.90	2.25	1020	1360	421 137 900
		2.8 - 7.9	11.3	6.30	0.90	2.25	1020	1360	422 312 907
		4.3 - 9.5	12.7	6.30	0.90	2.25	1020	1360	425 129 900
4.8	4.9 - 5.0	3.2 - 7.9	12.1	8.70	1.45	2.80	1590	2400	422 140 001
		6.4 - 12.7	16.9	8.70	1.45	2.80	1590	2400	422 142 001


* Strengths at break relate to rivet failure.


Other designs available on request.

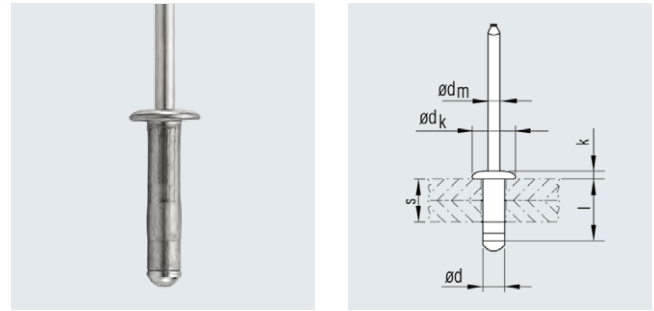
TIFAS® Multigrip blind rivets

Truss head

Material

 Sleeve:
Aluminium AlMg 2.0/2.5

 Mandrel:
Stainless steel A2



Nominal \varnothing d [mm]	Bore \varnothing [mm]	Grip range s [mm]	Blind sleeve $l \pm 0.3$ [mm]	Blind rivet head		Mandrel \varnothing d_m nom. [mm]	Nominal strength at break*		Article No.
				\varnothing $dk \pm 0.3$ [mm]	Height $k \pm 0.2$ [mm]		Shear [N]	Tensile [N]	
3.2	3.3 - 3.4	0.8 - 3.4	6.8	6.40	0.95	1.80	750	1040	421 220 907
		0.8 - 4.8	8.0	6.40	0.95	1.80	750	1040	421 221 001
		1.2 - 6.4	9.5	6.40	0.95	1.80	750	1040	421 222 907
		4.0 - 7.9	11.1	6.40	0.95	1.80	750	1040	421 223 907
		5.5 - 9.5	12.7	6.40	0.95	1.80	750	1040	421 224 907
4.0	4.1 - 4.2	1.2 - 6.4	9.5	7.90	1.20	2.25	1130	1700	421 230 001
		3.2 - 7.9	11.1	7.90	1.20	2.25	1130	1700	421 231 907
		4.0 - 9.5	12.7	7.90	1.20	2.25	1130	1700	428 191 000
		6.4 - 12.7	16.9	7.90	1.20	2.25	1130	1700	421 233 907
4.8	4.9 - 5.0	1.6 - 6.4	10.3	9.80	1.45	2.80	1560	2400	421 243 001
		4.8 - 11.1	15.1	9.80	1.45	2.80	1560	2400	421 244 001
		6.4 - 12.7	16.9	9.80	1.45	2.80	1560	2400	421 523 907
		12.7 - 19.8	24.8	9.80	1.45	2.80	1560	2400	421 525 907

* Strengths at break relate to rivet failure.

Other designs available on request.

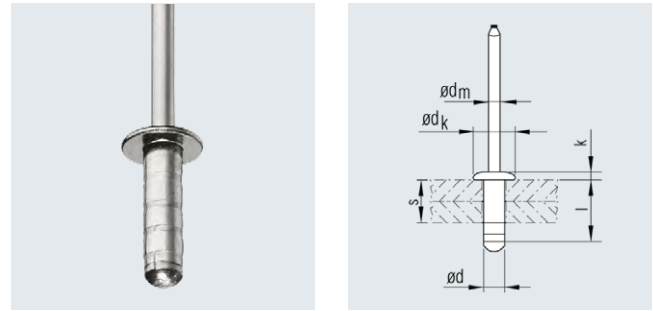
TIFAS® Multigrip blind rivets

Truss head

Material

Sleeve:
Steel SAE 1006, or equivalent,
galvanised, passivated

Mandrel:
Steel SAE 1018/1035,
galvanised, passivated



Nominal \varnothing d [mm]	Bore \varnothing [mm]	Grip range s [mm]	Blind sleeve l ± 0.3 [mm]	Blind rivet head		Mandrel \varnothing dm nom. [mm]	Nominal strength at break*		Article No.
				\varnothing dk ± 0.3 [mm]	Height k ± 0.2 [mm]		Shear [N]	Tensile [N]	
3.2	3.3 - 3.4	1.0 - 4.0	9.0	7.2	0.90	2.10	1120	1710	421 021 000
		1.0 - 9.0	13.0	7.2	0.90	2.10	1120	1710	421 023 001
4.0	4.1 - 4.2	1.4 - 5.0	11.0	8.1	1.20	2.70	1400	2300	421 028 000
		1.4 - 8.0	14.0	8.1	1.20	2.70	1400	2300	421 032 000
4.8	4.9 - 5.0	1.5 - 4.0	9.0	9.8	1.45	2.90	2500	3800	421 067 000
		1.5 - 6.0	11.0	9.8	1.45	2.90	2500	3800	421 068 000
		1.5 - 9.0	14.0	9.8	1.45	2.90	2500	3800	421 069 000
		6.7 - 12.0	17.0	9.8	1.45	2.90	2500	3800	421 072 000
6.4	6.7 - 6.9	1.5 - 7.5	14.5	13.0	3.00	4.20	3400	4100	421 080 000

* Strengths at break relate to rivet failure.

Other designs available on request.

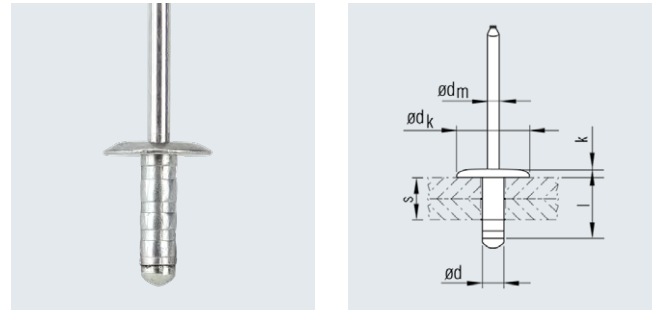
TIFAS® Multigrip blind rivets

Large truss head

Material

Sleeve:
Steel SAE 1006, or equivalent,
galvanised, passivated

Mandrel:
Steel SAE 1018/1035,
galvanised, passivated



Nominal \varnothing d [mm]	Bore \varnothing [mm]	Grip range s [mm]	Blind sleeve l \pm 0.3 [mm]	Blind rivet head		Mandrel \varnothing dm nom. [mm]	Nominal strength at break*		Article No.
				\varnothing dk \pm 0.3 [mm]	Height k \pm 0.2 [mm]		Shear [N]	Tensile [N]	
4.8	4.9 - 5.0	1.5 - 4.0	9.0	15.90	1.90	2.90	2500	3900	423 067 000
		1.5 - 9.0	14.0	14.00	1.70				

* Strengths at break relate to rivet failure.

Other designs available on request.

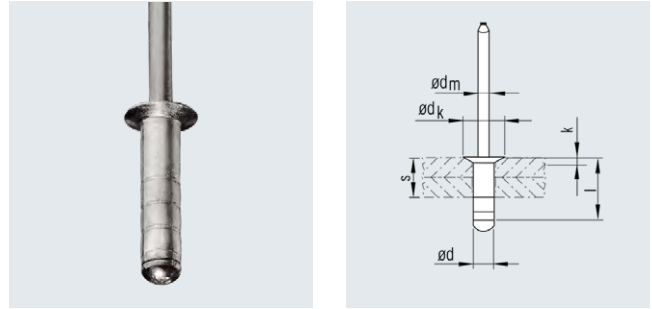
TIFAS® Multigrip blind rivets

Countersunk 120°

Material

Sleeve:
Steel SAE 1006, or equivalent,
galvanised, passivated

Mandrel:
Steel SAE 1018/1035,
galvanised, passivated



Nominal \varnothing d [mm]	Bore \varnothing [mm]	Grip range s [mm]	Blind sleeve l ± 0.3 [mm]	Blind rivet head		Mandrel \varnothing dm nom. [mm]	Nominal strength at break*		Article No.
				\varnothing dk ± 0.3 [mm]	Height k ± 0.2 [mm]		Shear [N]	Tensile [N]	
4.8	4.9 - 5.0	2.5 - 6.0	11.0	8.6	1.3	2.9	2400	3900	421 073 000
		3.0 - 9.0	14.0	8.6	1.3		2400	3900	421 074 000
		4.0 - 12.0	17.0	8.6	1.3		2400	3900	421 070 000
		8.5 - 16.5	22.0	8.6	1.3		2400	3900	421 071 000

* Strengths at break relate to rivet failure.

Other designs available on request.

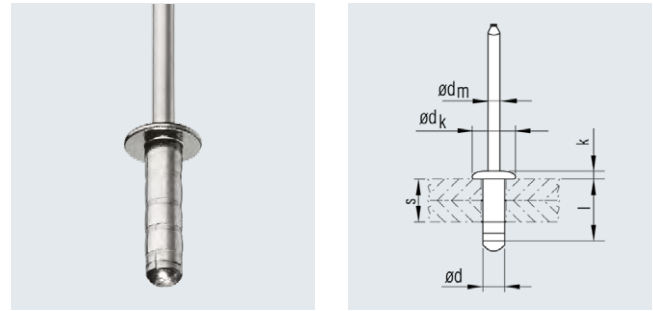
TIFAS® Multigrip blind rivets

Truss head

Material

Sleeve:
Stainless steel AISI 302/304

Mandrel:
Stainless steel 304/434



Nominal \varnothing d [mm]	Bore \varnothing [mm]	Grip range s [mm]	Blind sleeve l ± 0.3 [mm]	Blind rivet head		Mandrel \varnothing dm nom. [mm]	Nominal strength at break*		Article No.
				\varnothing dk ± 0.3 [mm]	Height k ± 0.2 [mm]		Shear [N]	Tensile [N]	
3.2	3.3 - 3.4	1.0 - 3.5	8	6	1	2.2	1600	1900	421 721 906
4.0	4.1 - 4.2	1.6 - 6.0	12	8	1.1	2.7	2400	3200	421 733 000
		6.5 - 10.0	16.8	8	1.1	2.7	2400	3200	421 734 000
4.8	4.9 - 5.0	1.5 - 6.0	10.3	9.8	1.85	3.4	3900	5000	421 741 000
		2.5 - 7.5	12.7	9.8	1.85	3.4	3900	5000	421 742 000
		5.0 - 10.0	15.1	9.8	1.85	3.4	3900	5000	421 743 000
		6.5 - 11.5	16.9	9.8	1.85	3.4	3900	5000	421 745 000


* Strengths at break relate to rivet failure.


Other designs available on request.

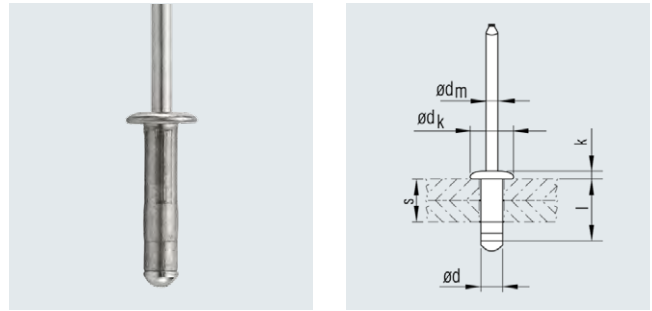
TIFAS® Multigrip blind rivets

Truss head

Material

 Sleeve:
Aluminium RAL 9005

 Mandrel:
Steel, galvanised



Nominal \varnothing d [mm]	Bore \varnothing [mm]	Grip range s [mm]	Blind sleeve l ± 0.3 [mm]	Blind rivet head		Mandrel \varnothing dm nom. [mm]	Nominal strength at break*		Article No.
				\varnothing dk ± 0.3 [mm]	Height k ± 0.2 [mm]		Shear [N]	Tensile [N]	
3.2	3.3	0.8 - 4.8	8.4	6.6	1.4	1.8	600	900	428 400 907
		4.0 - 7.9	11.5	6.6	1.4	1.8	600	900	428 401 907
		6.4 - 11.1	15.5	6.6	1.4	1.8	600	900	428 402 907
4.0	4.1	0.5 - 3.2	7.2	8.0	1.7	2.2	950	1.500	428 405 907
		3.2 - 7.9	11.5	8.0	1.7	2.2	950	1.500	428 406 907
		6.4 - 12.7	17.3	8.0	1.7	2.2	950	1.500	428 407 907
4.8	4.9	1.6 - 6.4	10.7	10.0	2.0	2.6	1.320	2.000	428 410 907
		6.4 - 12.7	17.3	10.0	2.0	2.6	1.320	2.000	428 411 907
		12.7 - 19.8	25.2	10.0	2.0	2.6	1.320	2.000	428 412 907


* Strengths at break relate to rivet failure.


Other designs available on request.

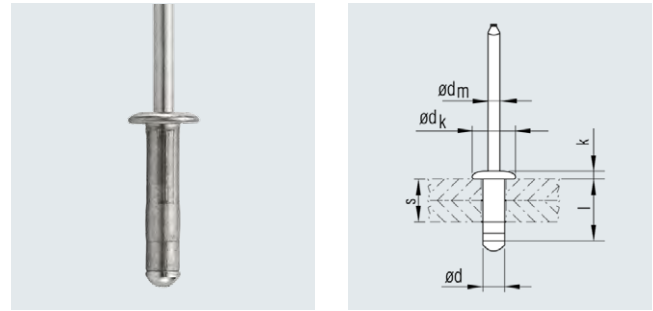
TIFAS® Multigrip blind rivets

Truss head

Material

 Sleeve:
Aluminium RAL 9010

 Mandrel:
Steel, galvanised



Nominal \varnothing d [mm]	Bore \varnothing [mm]	Grip range s [mm]	Blind sleeve $l \pm 0.3$ [mm]	Blind rivet head		Mandrel \varnothing d_m nom. [mm]	Nominal strength at break*		Article No.
				\varnothing $dk \pm 0.3$ [mm]	Height $k \pm 0.2$ [mm]		Shear [N]	Tensile [N]	
3.2	3.3	0.8 - 4.8	8.4	6.6	1.4	1.8	600	900	428 440 907
		4.0 - 7.9	11.5	6.6	1.4	1.8	600	900	428 441 907
		6.4 - 11.1	15.5	6.6	1.4	1.8	600	900	428 442 907
4.0	4.1	0.5 - 3.2	7.2	8.0	1.7	2.2	950	1.500	428 445 907
		3.2 - 7.9	11.5	8.0	1.7	2.2	950	1.500	428 446 907
		6.4 - 12.7	17.3	8.0	1.7	2.2	950	1.500	428 447 907
4.8	4.9	1.6 - 6.4	10.7	10.0	2.0	2.6	1.320	2.000	428 450 907
		6.4 - 12.7	17.3	10.0	2.0	2.6	1.320	2.000	428 451 907
		12.7 - 19.8	25.2	10.0	2.0	2.6	1.320	2.000	428 452 907


* Strengths at break relate to rivet failure.


Other designs available on request.

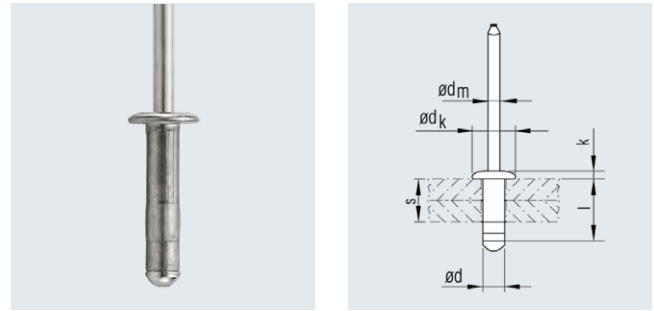
TIFAS® Multigrip blind rivets

Truss head

Material

 Sleeve:
Aluminium RAL 9011

 Mandrel:
Steel, galvanised



Nominal \varnothing d [mm]	Bore \varnothing [mm]	Grip range s [mm]	Blind sleeve $l \pm 0.3$ [mm]	Blind rivet head		Mandrel \varnothing d_m nom. [mm]	Nominal strength at break*		Article No.
				\varnothing $dk \pm 0.3$ [mm]	Height $k \pm 0.2$ [mm]		Shear [N]	Tensile [N]	
3.2	3.3	0.8 - 4.8	8.4	6.6	1.4	1.8	600	900	428 420 907
		4.0 - 7.9	11.5	6.6	1.4	1.8	600	900	428 421 907
		6.4 - 11.1	15.5	6.6	1.4	1.8	600	900	428 422 907
4.0	4.1	0.5 - 3.2	7.2	8.0	1.7	2.2	950	1.500	428 425 907
		3.2 - 7.9	11.5	8.0	1.7	2.2	950	1.500	428 426 907
		6.4 - 12.7	17.3	8.0	1.7	2.2	950	1.500	428 427 907
4.8	4.9	1.6 - 6.4	10.7	10.0	2.0	2.6	1.320	2.000	428 430 907
		6.4 - 12.7	17.3	10.0	2.0	2.6	1.320	2.000	428 431 907
		12.7 - 19.8	25.2	10.0	2.0	2.6	1.320	2.000	428 432 907

* Strengths at break relate to rivet failure.

Other designs available on request.

Notes

A large grid area for taking notes, consisting of 20 columns and 30 rows of small squares.

All technical data is intended as a guide but is not binding! Subject to change without notice.

Notes

A large grid of graph paper for taking notes, consisting of 20 columns and 40 rows of small squares.

Copyright

All texts, images, technical documents and other information contained in this catalogue are subject to copyright held by Titgemeyer GmbH & Co. KG. Any reproduction or disclosure, whether as a copy or other form of duplication or use, is expressly prohibited without the prior consent of Titgemeyer GmbH & Co. KG.

Registered trademarks

The trademarks BÖRTI, GETO, GETO therm, GETOVAN, GTO, LockBolt, MEGA PORT, plasti van, PLYFIX, POLYSTIC, press-ti, RIEKO, RIV-TI, ROLL-TO, TIBOLT, TIBULB, TIFAS, TILA, TIOS and Titgemeyer are registered trademarks and the intellectual property of Titgemeyer GmbH & Co. KG.

Term of Delivery and Payment

All deliveries are carried out in compliance with our Terms of Delivery and Payment.

Limitation of liability

All technical data, performance descriptions, drawings, illustrations, measurements, weights or any other performance data, recommendations and guidelines contained in this catalogue and relating to the installation of parts that we supply are only binding if so expressly agreed. Moreover, the user is obliged at all times to check each individual use and decide whether the components that we supply can be used as needed.

We accept liability in the case of wilful intent, gross negligence and infringement of cardinal contractual duties as well as for errors in respect of express or implied representations. Notwithstanding this, any claims for compensation not explicitly agreed to in these terms and conditions are hereby excluded in the case of customers who are not consumers and, in the case of such customers, who are not consumers, at all events limited to the damage foreseeable at the time of concluding the contract as well as to the value of the delivered consignment. To the extent that our liability is excluded or limited, this shall extend accordingly to the personal liability of employees, legal representatives and vicarious agents. In all instances of gross negligence committed by vicarious agents, we shall solely be liable to customers, who are not consumers, to compensate for typically foreseeable damage. The statutory regulation governing the burden of proof shall remain unaffected. The aforementioned limitation of liability shall not apply to claims resulting from product liability, for damage resulting from injury to life, limb or health, or for damage to privately used property.

All technical specifications contained in this brochure are approximate and no guarantee is given as to their accuracy. Designs are subject to change.

About us

The Titgemeyer Group is a leading company for fastening technology and vehicle components at 15 locations in Europe.

The traditional company develops, manufactures and sells more than 30,000 fastening elements, tools and vehicle components – in series production and on request.

Headquarters

Titgemeyer GmbH & Co. KG
Hannoversche Straße 97
49084 Osnabrück / DE

PO Box 4320
49033 Osnabrück / DE

T +49 541 5822-0
E info@titgemeyer.com
W titgemeyer.com



Sales locations

Titgemeyer Austria GmbH
Brunner Straße 77 - 79
1230 Wien / AT

T +43 (0) 1/6 67 90 40 - 0
E sales@titgemeyer.com
W titgemeyer.at

Titgemeyer CZ spol. s r. o.
U Vodárny 1506
397 01 Písek / CZ

T +420 382 2067 - 25
E sales@titgemeyer.com
W titgemeyercz.cz

Titgemeyer Polska sp. z o.o.
Cypriana Bazylika 17
98-200 Sieradz / PL

T +48 (0) 43 828 20 - 15
E sales@titgemeyer.com
W titgemeyer.pl

Titgemeyer Skandinavien A/S
Lunikvej 32
2670 Greve / DK

T +45 4360 0966
E info@titgemeyer.dk
W titgemeyer.dk

Titgemeyer Skandinavien A/S
Box 3218
550 03 Jönköping / SE

T +46 36 128350
E info@titgemeyer.se
W titgemeyer.se

Titgemeyer Skandinavien A/S
Korkeakoulunkatu 7
33720 Tampere / FI

T +358 (0) 400 448 401
E info@titgemeyer.fi
W titgemeyer.fi

Titgemeyer Turkey Baglanti Teknolojileri San. ve Tic. A.S.
Barbaros Mah. Is Merkezi No.1
Kat: 8 D.58
34746 Atasehir, Istanbul / TUR

T +90 (0) 21 66 88 20 - 27
E sales@titgemeyer.com.tr
W titgemeyer.com.tr

Titgemeyer (UK) Limited
A2 Link One Industrial Park
George Henry Road
DY4 7BU Tipton / UK

T +44 (0) 1 21 5 57 97 - 77
E sales@titgemeyer.co.uk
W titgemeyer.co.uk

Production sites

Cirteq Limited
'Hayfield' Colne Road,
Glusburn, Keighley,
West Yorkshire, BD20 8QP

T +44 1535 633333
E sales@cirteq.com
W cirteq.com

Titgemeyer Tools & Automation spol s.r.o.
U Vodárny 1506
397 01 Písek / CZ

T +42 382 2067 - 11
E info@rivetec.cz
W rivetec.cz

RIEKO GmbH
Robert-Bosch-Straße 9
72124 Pliezhausen / DE

T +49 7127 9744 - 0
E info@rieko-web.com
W rieko-web.com

Titgemeyer GmbH & Co. KG Werk Lotte
Daimlerstraße 13 - 15
49504 Lotte / DE

T +49 5404 9666 - 0
E info@titgemeyer.com
W titgemeyer.com

TS Gesellschaft für Transport- und Sicherungssysteme mbH
Haßlinghauser Straße 156
58285 Gevelsberg / DE

T +49 541 5822 - 900
E ts@cargocontrol.de
W wir-sind-ladungssicherung.de