



Part No. 99-0167

RL 12

Hydropneumatic tool for installation of blind rivets from 2.4 to 5.0 mm

Scope of use:

Ø of the rivet	2.4	3 / 3.2	4	4.8 / 5	6	6.4
Aluminium, Copper, Brass	✓	✓	✓	✓		
Steel	✓	✓	✓			
Stainless	✓	✓	✓			

Nosepieces included:

✓	✓	✓	✓		
---	---	---	---	--	--

Technical parameters:

Model	RL 12
Pulling Force	8 kN / 6 bar
Working Stroke	14mm
Weight	1.4 kg
Force / Weight Ratio	5.71 kN/kg
Height	243 mm
Length	273 mm
Air Consumption	1.2 litres / rivet
Air Consumption / min	70 litres / min
Working Air Pressure	5–7 bar
Hose Connection	Ø 6 mm (G 1/4")

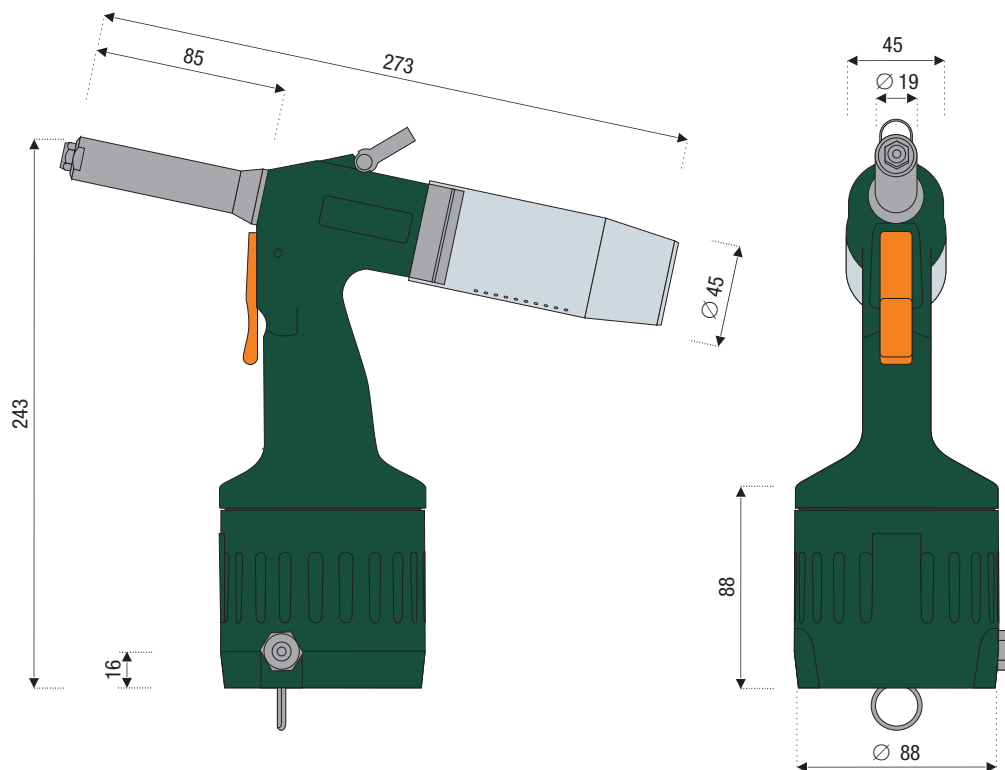
Description:

- high output at small dimensions
- fluent regulation of the intensity of exhaustion
- low noise
- low maintenance
- simple operation
- large range of additional equipment
- ergonomic handle is comfortable to hold
- low transferred vibrations
- rotating air joint connection
- air intake can be moved to suit either left or right handed operator
- quick release collecting container with adjustable air exhaust
- balancer hook
- spare nosepieces on the bottom of the tool
- safety mechanism prevents mandrels ejection when collecting container is removed
- safety over-pressure dump valve
- reliability verified in practice



Dimensions of tool:

RL 12



Standard accessories:

Description	Part No.
Nosepiece 2.4	87-0016
Nosepiece 3/3.2	87-0017
Nosepiece 4	87-0018
Nosepiece 4.8/5	87-0019
Jaws Set	87-0050
Mandrel Collector	87-0058
Air Joint Assembly	87-0281
Kit for Refilling of Oil	87-0187

Optional accessories:

Description	Part No.
Jaws Set for Stainless Rivets	87-0053
Extended 200 mm Front End	87-0190
Front End \varnothing 17 mm	87- 0191
Extended 200 mm Front End \varnothing 17 mm	87-0192
Hydraulic Oil for Tool – 1 Litre	87-0188